

COFFEE BREWING SYSTEMS

CBS-1221 Plus Airpot Brewer

Shown with D080 2.2 Liter Airpot



PLUG AND PLAY OPERATION

Three batch buttons pre-programmed at the factory. If desired the USB port can be used to upload and download recipes.



CASCADING SPRAY DOME

Patented design provides even saturation of the coffee bed for maximum extraction. Lime resistant design for less service calls.

COMMONALITY OF PARTS

Keep inventory and service costs down with interchangeable parts between other FETCO brewers.

TRUE BREW TIME

Automatically manage net brew time independent from pre-wet and pulsing functions for easy adjustment of coffee extraction.

DISPENSERS

CBS-1221 Plus Airpot Brewer



DISPENSERS

D037

1.9 Liter
Tall Server

NSF



D078

2.2 Liter
Glass Lined
Pump Lever Airpot

NSF



D080

2.2 Liter
Pump Lever Airpot

NSF



D081

2.5 Liter
Pump Lever Airpot

NSF



D041

3.0 Liter
Pump Lever Airpot

NSF



All dispensers **SOLD SEPARATELY.**

ACCESSORIES

CBS-1221 Plus Airpot Brewer

ACCESSORIES, BASKETS AND FILTERS

Item Number	Voltage	Brew Basket	Coffee Capacity	Filter Size	Filter SKU	Filter/Case
NORTH AMERICA						
E1221US-1A117-PM001	120	Standard Plastic	3.5 oz/100 g	10.6" x 4.5"	F008	1000/cs
E1221US-1A117-KM001	120	Large Plastic	6 oz/170 g	13" x 5"	F002	500/cs
E1221US-1X117-PM001	Dual	Standard Plastic	3.5 oz/100 g	10.6" x 4.5"	F008	1000/cs
E1221US-1X117-KM001	Dual	Large Plastic	6 oz/170 g	13" x 5"	F002	500/cs
INTERNATIONAL						
E1221IN-1B130-PM005	200-240	Standard Plastic	3.5 oz/100 g	10.6" x 4.5"	F008	1000/cs
E1221NM-1X117-PM001	Dual	Standard Plastic	3.5 oz/100 g	10.6" x 4.5"	F008	1000/cs
E1221CE-1B130-PM005	230	Standard Plastic	3.5 oz/100 g	10.6" x 4.5"	F008	1000/cs
E1221CE-1B130-PM006	230	Standard Plastic	3.5 oz/100 g	10.6" x 4.5"	F008	1000/cs

B024230BN2
10-5/8" x 4-1/2"
Small Plastic Basket



B014218BN2BK
13" x 5"
Large Plastic Basket



F008
10-5/8" x 4-1/2"
Paper Filters



B025230B1
10-5/8" x 4-1/2"
Small Metal Basket



B003218B1
13" x 5"
Large Metal Basket



F002
13" x 5"
Paper Filters



Contact Customer Service or your Sales Person for more options.

WATER FILTRATION SYSTEM

Filtration System	Item Number	Item Description	Rated Capacity	Working Pressure	Weight
Everpure®	A039	In-Line System	113,563 liters	10-125 psi [0.7-8.6 bar], non-shock	6.0 lbs / 2.7 kg
Everpure®	A075	Replacement Cartridge	113,563 liters	10-125 psi [0.7-8.6 bar], non-shock	6.0 lbs / 2.7 kg
BWT Bestmax	A138	In-Line System	3,002 liters	29-116 psi [2-8 bar], non-shock	11.0 lbs / 5.0 kg
BWT Bestmax	A139	Replacement Cartridge	3,002 liters	29-116 psi [2-8 bar], non-shock	11.0 lbs / 5.0 kg
BWT Bestmax	A140	In-Line System	4,562 liters	29-116 psi [2-8 bar], non-shock	11.0 lbs / 5.0 kg
BWT Bestmax	A141	Replacement Cartridge	4,562 liters	29-116 psi [2-8 bar], non-shock	11.0 lbs / 5.0 kg

EVERPURE®
In-Line Water Filtration System



SET INCLUDES: 1ea. commercial quality corrosion resistant filter head 1ea. taste and odor filter cartridge (FETCO® #A075) / 1ea. 3/8" x 4' connection hose / 1 set — mounting bracket and hardware.

BWT BESTMAX
In-Line Water Filtration System



SET INCLUDES: 1ea. filter cartridge / 1ea. universal filter head / 1ea. wall mounting bracket Braided hose supplies 3/8" and 3/4" compression, in 24" or 48" lengths

- Recommended for large-sized operations
- Taste and odor filter for extremely turbid (cloudy) water
- Granular-activated carbon reduces sediment and chlorine
- Quick-disconnect style head/cartridge design cartridge for effortless replacement
- Durable, corrosion-resistant head includes built-in shutoff valve
- Recommended for small- to medium-sized operations
- Carbonate hardness removal prevents scale deposits and retains minerals
- Granular-activated carbon reduces sediment and chlorine
- Quick-disconnect style head/cartridge design cartridge for effortless replacement
- Durable, corrosion-resistant head includes built-in shutoff valve
- Four bypass settings allows for different water qualities and product preferences

TECHNICAL SPECIFICATIONS

CBS-1221 Plus Airpot Brewer

NORTH AMERICA

ELECTRICAL

Item Number	Brew Basket	Voltage	Heater Config.	Phase	Wires	kW	Connection	Max Amp Draw	[Gal] / [L] Hour	Certification
E1221US-1A117-KM001	13x5" Plastic	120	1 x 1.7 kW	1	2+G	1.7	NEMA 5-15P	14.7	4.4 / 16.7	NSF cULus
E1221US-1A117-LM001	13x5" Metal	120	1 x 1.7 kW	1	2+G	1.7	NEMA 5-15P	14.7	4.4 / 16.7	NSF cULus
E1221US-1A117-MM001	10.6x4.5" Metal	120	1 x 1.7 kW	1	2+G	1.7	NEMA 5-15P	14.7	4.4 / 16.7	NSF cULus
E1221US-1A117-PM001	10.6x4.5" Plastic	120	1 x 1.7 kW	1	2+G	1.7	NEMA 5-15P	14.7	4.4 / 16.7	NSF cULus
E1221US-1X117-KM001 DUAL VOLTAGE	13x5" Plastic	120 208-240	1 x 1.7 kW 1 x 3.0 kW	1 1	2+G 2+G	1.7 2.5-3.0	NEMA 5-15P No Cord	14.7 11.3-13.0	4.4 / 16.7 7.0 / 26.5	NSF cULus
E1221US-1X117-LM001 DUAL VOLTAGE	13x5" Metal	120 208-240	1 x 1.7 kW 1 x 3.0 kW	1 1	2+G 2+G	1.7 2.5-3.0	NEMA 5-15P No Cord	14.7 11.3-13.0	4.4 / 16.7 7.0 / 26.5	NSF cULus
E1221US-1X117-MM001 DUAL VOLTAGE	10.6x4.5" Metal	120 208-240	1 x 1.7 kW 1 x 3.0 kW	1 1	2+G 2+G	1.7 2.5-3.0	NEMA 5-15P No Cord	14.7 11.3-13.0	4.4 / 16.7 7.0 / 26.5	NSF cULus
E1221US-1X117-PM001 DUAL VOLTAGE	10.6x4.5" Plastic	120 208-240	1 x 1.7 kW 1 x 3.0 kW	1 1	2+G 2+G	1.7 2.5-3.0	NEMA 5-15P No Cord	14.7 11.3-13.0	4.4 / 16.7 7.0 / 26.5	NSF cULus

WATER

Water Inlet	Water Pressure [psig] / [Bar]	Minimum Flow Rate [gpm] / [L/min]	Tank Capacity [Gal] / [L]
1/4" Male Flare	20-75 / 1.37-5.17	1.50 / 5.68	2.66 / 10.07

INTERNATIONAL

ELECTRICAL

Item Number	Brew Basket	Voltage	Heater Config.	Phase	Wires	kW	Connection	Max Amp Draw	[Gal] / [L] Hour	Certification
E1221IN-1B130-PM005	10.6x4.5" Plastic	200-240	1 x 3.0 kW	1	2+G	2.1-3.0	CEE 7/7	10.9-13.0	4.4 / 16.7	NSF cULus
E1221NM-1X117-PM001 DUAL VOLTAGE	10.6x4.5" Plastic	100-120 200-240	1 x 1.7 kW 1 x 3.0 kW	1 1	2+G 2+G	1.2-1.7 2.1-3.0	NEMA 5-15P No Cord	12.3-14.7 10.9-13.0	4.4 / 16.7 7.0 / 26.5	NSF NOM
E1221CE-1B130-PM005	10.6x4.5" Plastic	230	1 x 3.0 kW	1	2+G	2.8	CEE 7/7	12.5	7.0 / 26.5	NSF CE
E1221CE-1B130-PM006	10.6x4.5" Plastic	230	1 x 3.0 kW	1	2+G	2.8	UK1-13P	12.5	7.0 / 26.5	NSF CE

WATER

Water Inlet	Water Pressure [psig] / [Bar]	Minimum Flow Rate [gpm] / [L/min]	Tank Capacity [Gal] / [L]
1/4" Male Flare	20-75 / 1.37-5.17	1.50 / 5.68	2.66 / 10.07

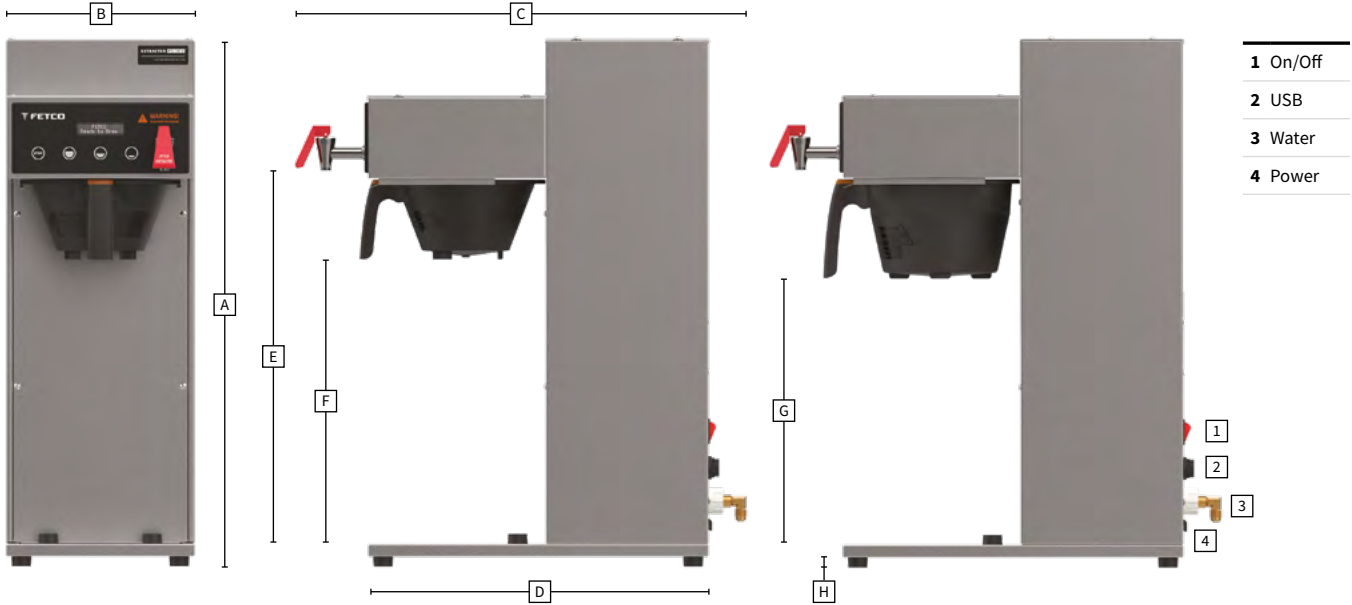
1 Based on maximum power configuration

DIMENSIONS

CBS-1221 Plus Airpot Brewer

DIMENSIONS & WEIGHT

	Height (A)	Width (B)	Depth (C)	Depth (D)	Faucet Clearance (E)	Small Brew Basket Clearance (F)	Large Brew Basket Clearance (G)	Legs Height (H)	Empty Weight [lbs] / [kg]	Filled Weight [lbs] / [kg]
Product	26.00" 66.04 cm	9.25" 23.50 cm	22.25" 56.52 cm	16.75" 42.55 cm	19.50" 50.00 cm	14.00" 35.56 cm	13.00" 33.02 cm	0.5" 1.27 cm	29 lbs 13.2 kg	52 lbs 23.6 kg
Shipping	31.50" 80.01 cm	13.00" 33.02 cm	24.75" 62.87 cm	N/A	N/A	N/A	N/A	N/A	35 lbs 15.9 kg	N/A



FAX
+1.847.719.3001