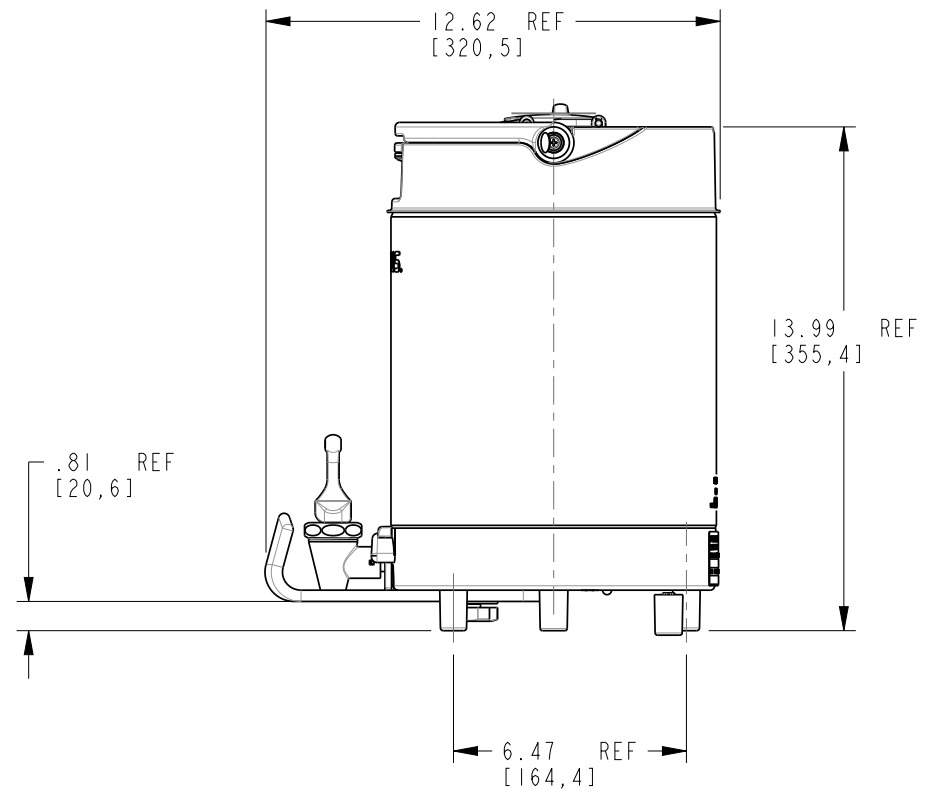
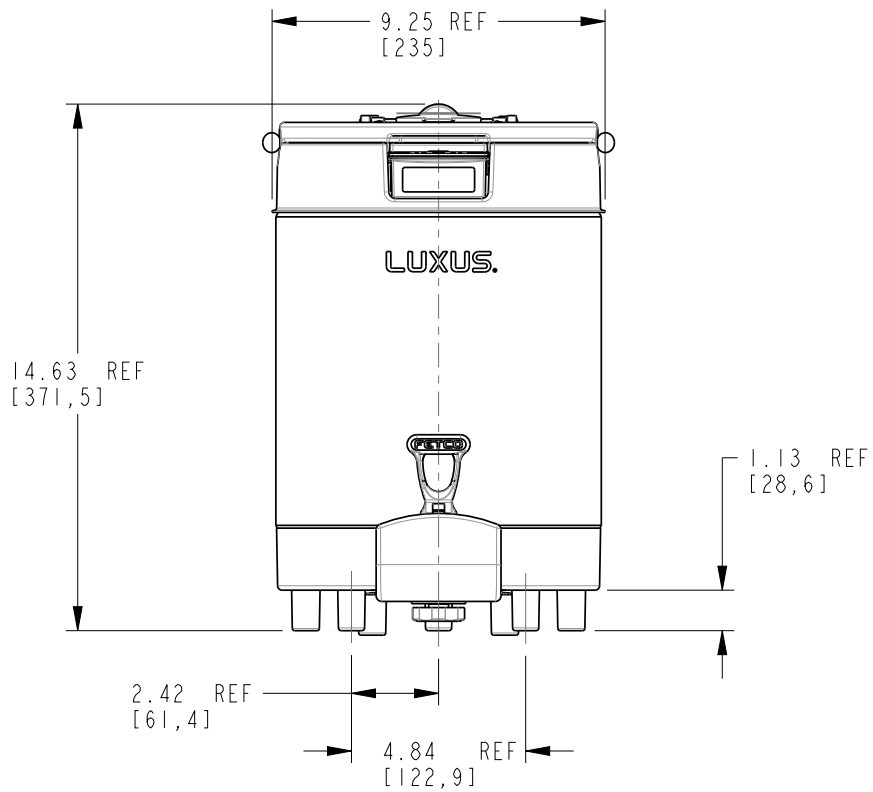
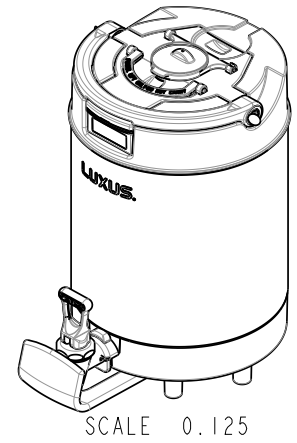


NOTE:
DIMENSION IN PARETHESIS ARE METRIC



ROUGH - IN SPECIFICATION, L4S-15
FETCO P/N: 1201.00030.00
 (SCALE: .188)

(REF. ASS'Y.: 1101.00322.00)