

HIGH VOLUME COFFEE BREWING SYSTEMS

STATIONARY Series

CBS-71A (FOR COUNTERTOPS)

Single 23.0 Liter Station



FETCO® is the category expert and the ONLY manufacturer of ultra high-volume (23.0-91.0 Liter) portable coffee brewing systems for very large scale operations. Due to the high capacity output and reliable performance the CBS-7000 Series is the preferred choice for specification in hotels, stadiums, convention centers and other large venues.



Set it and forget it.

Once your recipe parameters are programmed in, this brewer delivers consistent and repeatable results.



Steam Control.

Efficient, steam containing brew compartments virtually eliminate the need for external ventilation, making this system extremely adaptable to any Foodservice environment.



Expand Your Service.

Brew directly into a High-Capacity LBD Series Thermal Dispenser (sold separately) and transport for high volume coffee or refill service anywhere throughout your venue.

Shown with 23.0 Liter LUXUS® Thermal Dispenser (LBD-6)

FETCO®
TRUSTED | RELIABLE | QUALITY

Water Specification

Water Inlet
3/8" male flare fitting

Minimum Flow Rate
1 1/2 gpm [5.71 lpm]

Water Pressure
20-75 psig [138-517 kPa]

Electrical Configuration

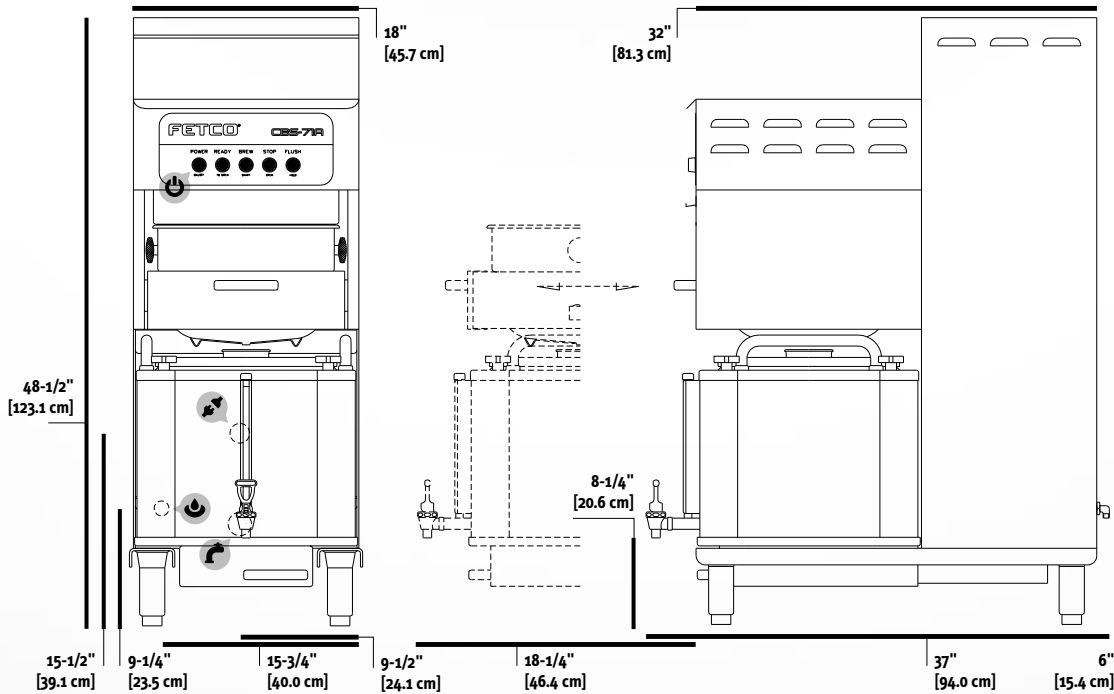
Configuration Code	Heater Configuration	Voltage	Phase	Wires	KW	Electrical Connection	Max Amp Draw	Liter/Hour
NORTH AMERICA								
C71017	3 x 5.0 kW	120/208-240	3	4+G	11.5-15.1	Terminal Block	31.9-36.8	68.1-90.8 ⁽¹⁾
C71027	3 x 10.0 kW	120/208-240	3	4+G	22.8-30.1	Terminal Block	63.2-72.9	136.3 ⁽¹⁾
C71037	3 x 10.0 kW	440-480	3	3+G ⁽²⁾	20.8-30.0	Terminal Block	30.1-36.1	136.3 ⁽¹⁾
INTERNATIONAL								
C71057	3 x 5.0 kW	220-240/380-415	3	4+G	12.9-15.1	Terminal Block	19.5-21.3	69.0 ⁽¹⁾
C71067	3 x 10.0 kW	220-240/380-415	3	4+G	25.5-30.1	Terminal Block	38.6-42.1	92.0-115.0 ⁽¹⁾

(1) Based on standard factory settings: 7.0 minute brew time; 0% prewet; 93°C water.

(2) Plus power cord for control, 120 VAC.

Measurements

Height 48 1/2" [123.1 cm]	Width 18" [45.7 cm]	Depth 37" [94.0 cm]	Empty Weight 175 lbs [79.4 kg]	Filled Weight 390 lbs [177.0 kg]	Shipping Weight 175 lbs [79.4 kg]	Shipping Dimensions: 55" x 48" x 42" [139.7 x 121.9 x 106.7 cm]
------------------------------	------------------------	------------------------	-----------------------------------	-------------------------------------	--------------------------------------	--



Compatible Dispensers

23.0 Liter LUXUS® Thermal Dispenser (LBD-6)

D019

Customize Your Brewer

Serving Station for LBD-6 with Drip Tray
Counter for CBS-71A (CTR-71)
Identifier Plates, Acrylic

A018

A019

A069

Paper Coffee Filters

23" x 9" (500/Case)

F006

Information

www.fetco.com

847.719.3000

Food Equipment Technologies Company
600 Rose Road
Lake Zurich, IL 60047-0429
USA

international@fetco.com

847.719.3001