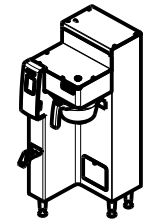
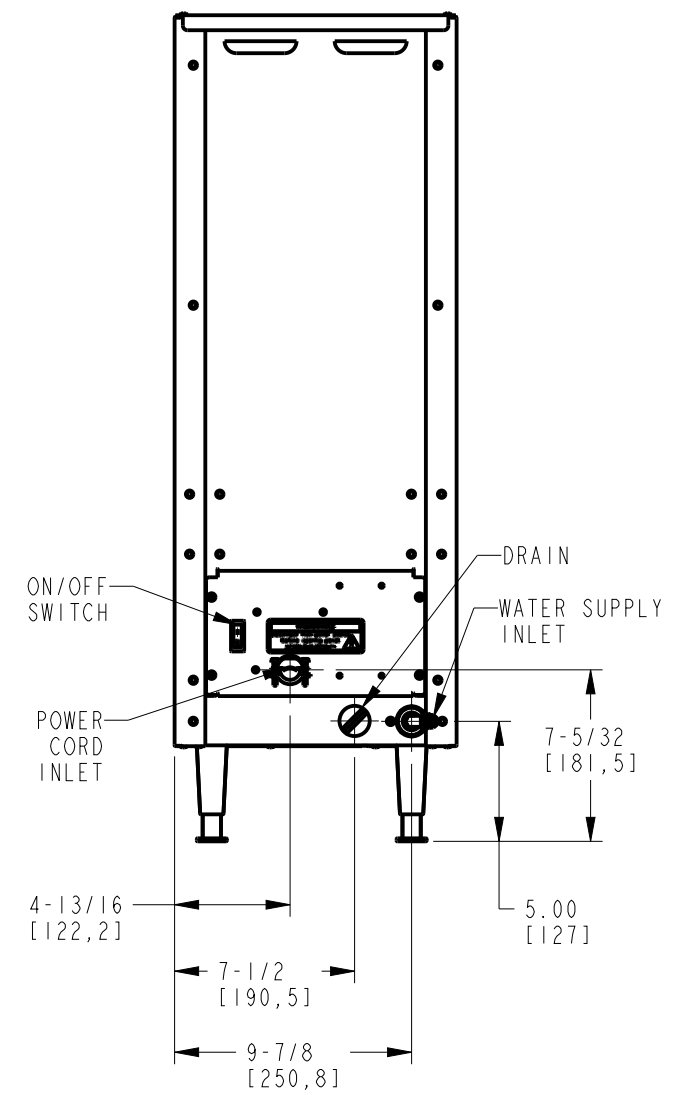
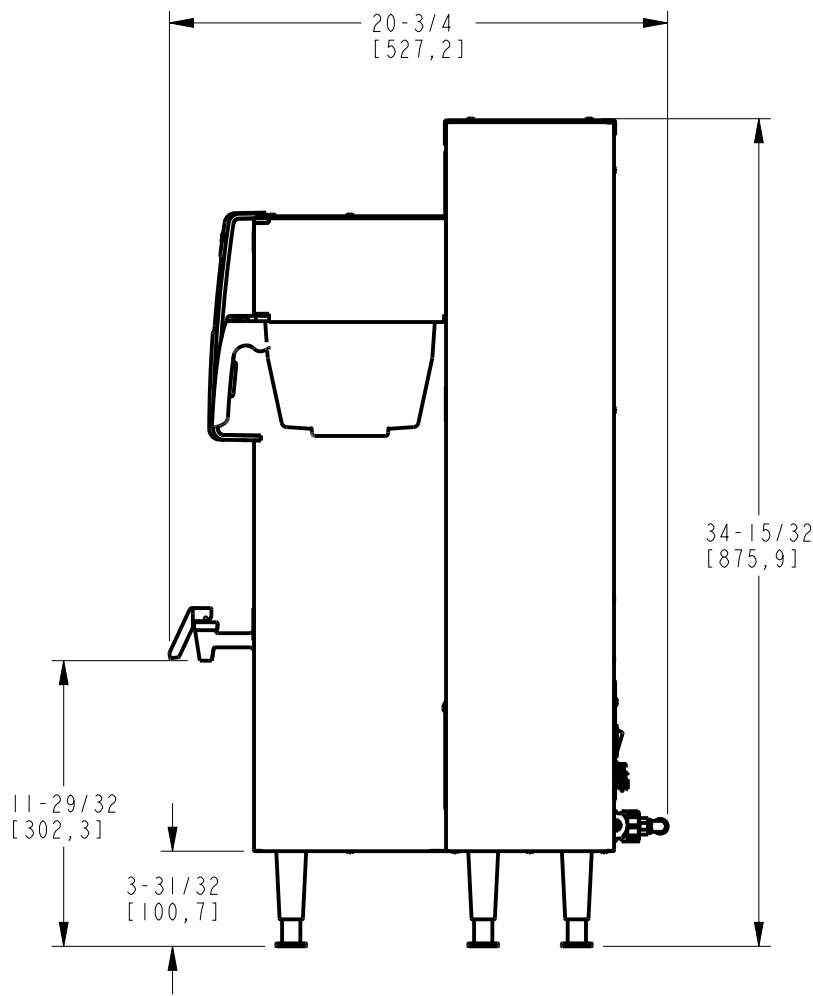
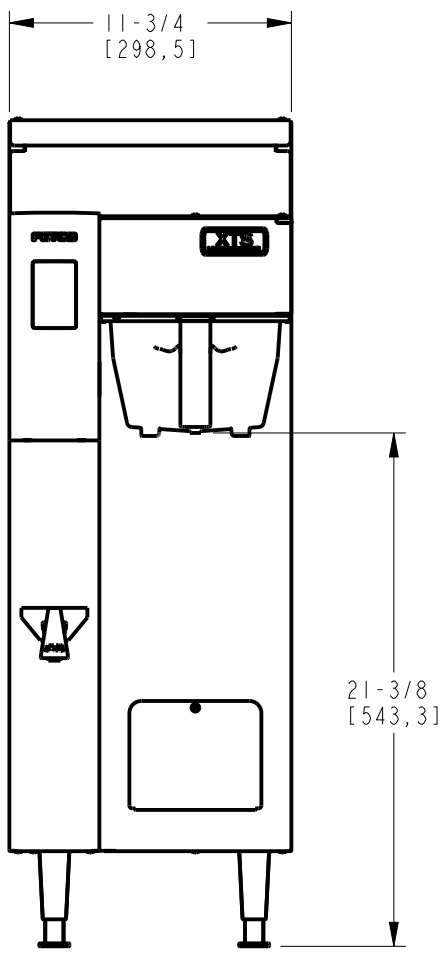


NOTE:

1. DIMENSIONS IN PARENTHESIS ARE METRIC MILLIMETERS



SCALE 0.031



CBS-2141 XTS
SCALE 0.125
(REF.: 1101.00194.00)