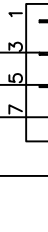
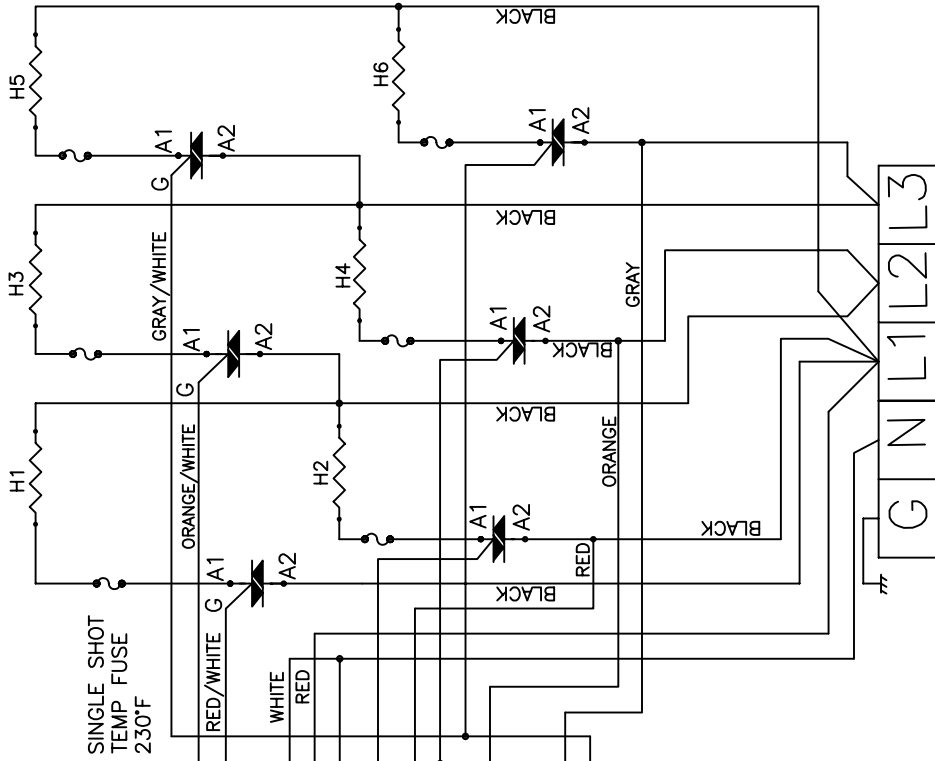


N.O.
PRESSURE SWITCH



OMRON RELAY

WATER IMMERSION HEATERS



SINGLE SHOT
TEMP FUSE
230°F

- GREEN OR GREEN/YELLOW
- BROWN
- PURPLE
- GREEN OR GREEN/YELLOW
- WHITE
- RED
- YELLOW
- BLUE
- RED
- RED/WHITE
- ORANGE
- ORANGE/WHITE
- GRAY
- GRAY/WHITE

SET

°C
°F
%FV

FETCO
51036

24681012141618



FOOD EQUIPMENT TECHNOLOGIES COMPANY, INC.
600 ROSE RD. LAKE ZURICH, IL. 60047,
PHONE: (800) 338-2699; (847)-719-3000, FAX: (847)-719-3001
e-MAIL: techsupport@fetco.com. <http://www.fetco.com>

FETCO PRODUCT NO.
HWB-2025

DESCRIPTION
WIRING DIAGRAM, HWB-2025, L1, L2, L3, N+GRND
120/208-240 VAC, 6 HEATERS

401260-005