

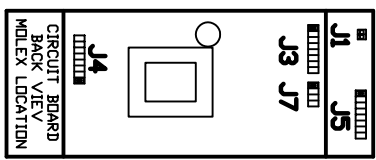
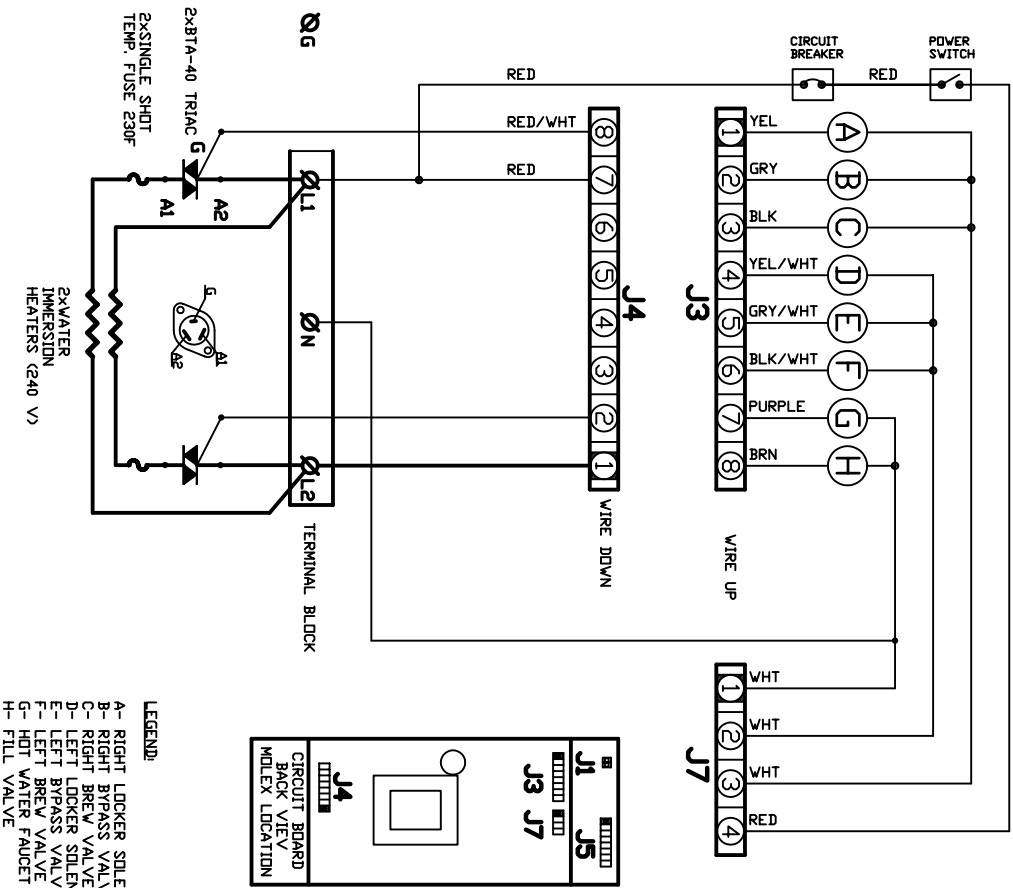
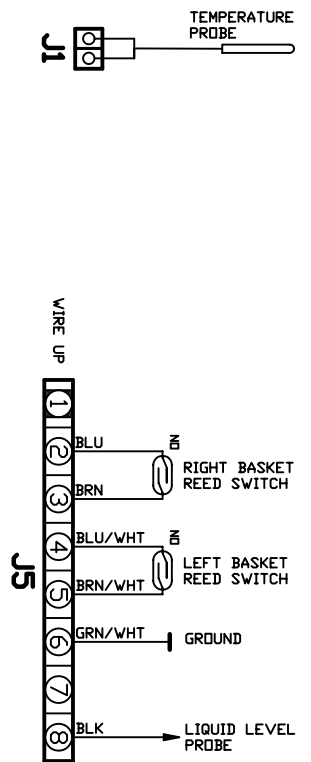
- LEGEND:**
- A- RIGHT LOCKER SOLENOID
  - B- RIGHT BYPASS VALVE
  - C- RIGHT BREW VALVE
  - D- LEFT LOCKER SOLENOID
  - E- LEFT BYPASS VALVE
  - F- LEFT BREW VALVE
  - G- HOT WATER FAUCET
  - H- FILL VALVE

FETCO PRODUCT NO. CBS-2042e

DESCRIPTION WIRING DIAGRAM, CBS-2042e, 1PH, 3WIRE + GRD, 2 HEATERS

WIRING DIAGRAM NO. 401225-002

**FETCO** FOOD EQUIPMENT TECHNOLOGIES COMPANY, INC.  
 600 ROSE RD LAKE ZURICH, IL 60047-3000, FAX: (847)-719-3001  
 e-MAIL: techsupport@fetco.com, http://www.fetco.com



- LEGEND:**
- A- RIGHT LOCKER SOLENOID
  - B- RIGHT BYPASS VALVE
  - C- RIGHT BREW VALVE
  - D- LEFT LOCKER SOLENOID
  - E- LEFT BYPASS VALVE
  - F- LEFT BREW VALVE
  - G- HOT WATER FAUCET
  - H- FILL VALVE

FETCO PRODUCT NO. CBS-2042e

DESCRIPTION WIRING DIAGRAM, CBS-2042e, 1PH, 3WIRE + GRD, 2 HEATERS

WIRING DIAGRAM NO. 401225-002

**FETCO** FOOD EQUIPMENT TECHNOLOGIES COMPANY, INC.  
 600 ROSE RD LAKE ZURICH, IL 60047-3000, FAX: (847)-719-3001  
 e-MAIL: techsupport@fetco.com, http://www.fetco.com