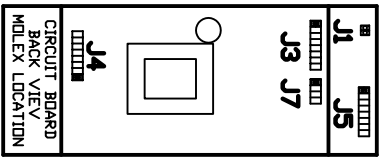
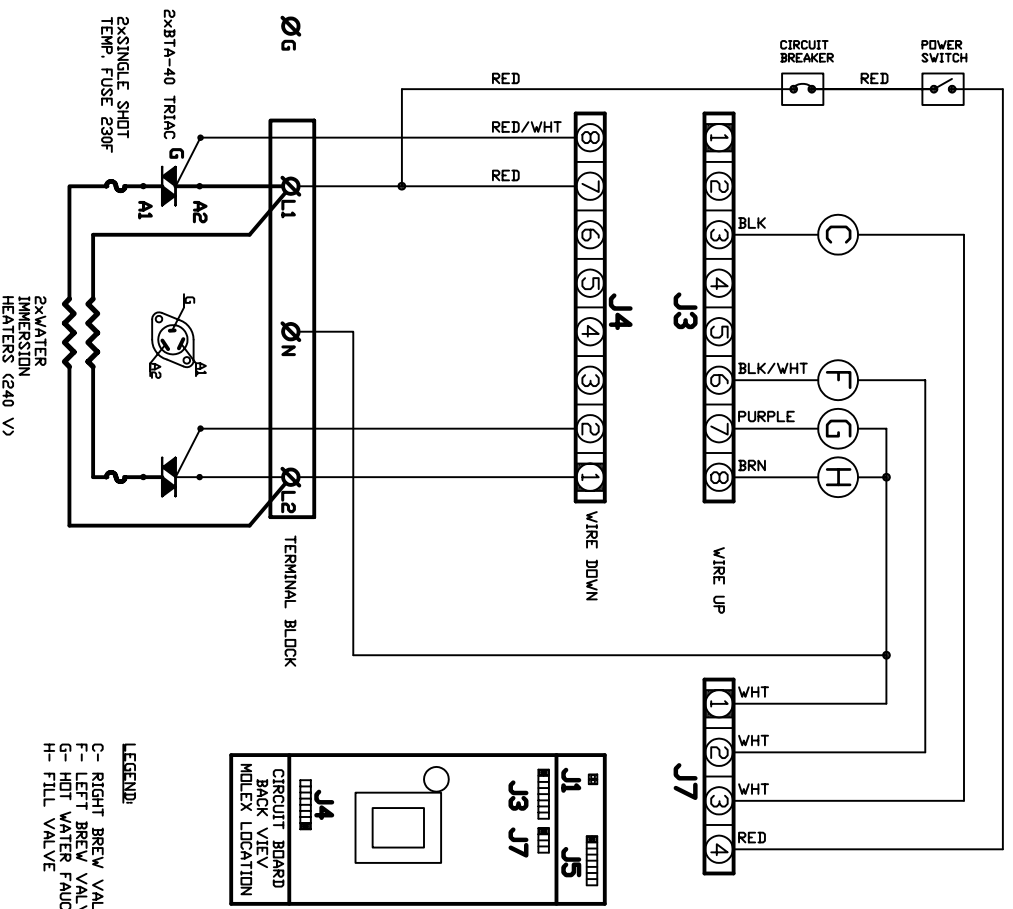
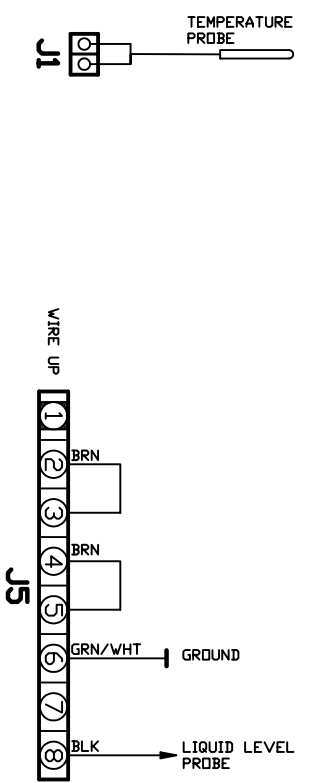


FETCO PRODUCT NO. CBS-2032e

DESCRIPTION: WIRING DIAGRAM, CBS-2032e, 1PH, 3 WIRES + GRD, 2 HEATERS

WIRING DIAGRAM NO. 401219-003

**FETCO** FOOD EQUIPMENT TECHNOLOGIES COMPANY, INC.  
 600 ROSE RD. LAKE ZURICH, IL 60047  
 PHONE: (800) 338-2699, (847)-719-3000, FAX: (847)-719-3001  
 e-MAIL: techsupport@fetco.com, http://www.fetco.com



FETCO PRODUCT NO. CBS-2032e

DESCRIPTION: WIRING DIAGRAM, CBS-2032e, 1PH, 3 WIRES + GRD, 2 HEATERS

WIRING DIAGRAM NO. 401219-003

**FETCO** FOOD EQUIPMENT TECHNOLOGIES COMPANY, INC.  
 600 ROSE RD. LAKE ZURICH, IL 60047  
 PHONE: (800) 338-2699, (847)-719-3000, FAX: (847)-719-3001  
 e-MAIL: techsupport@fetco.com, http://www.fetco.com