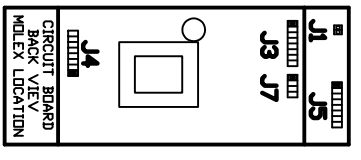
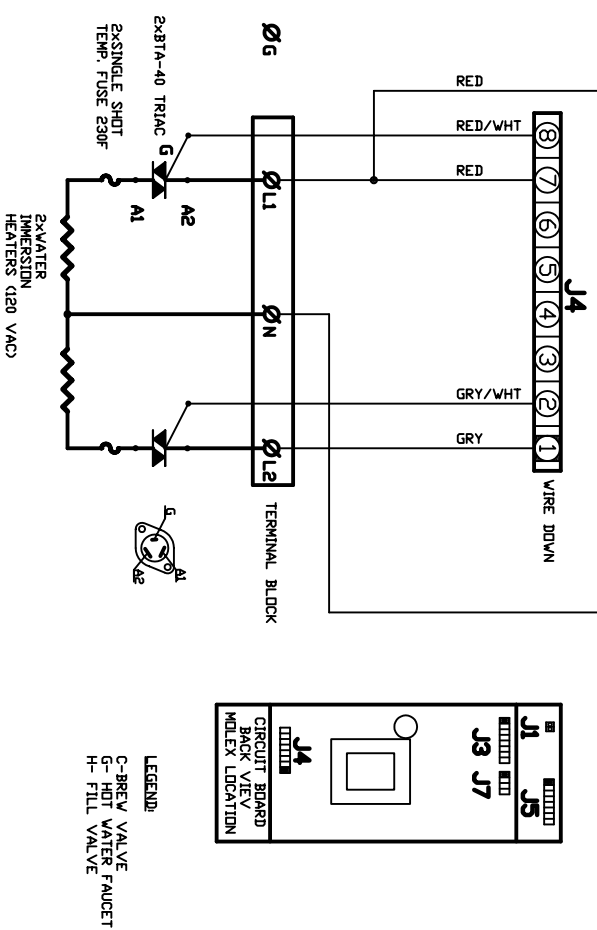
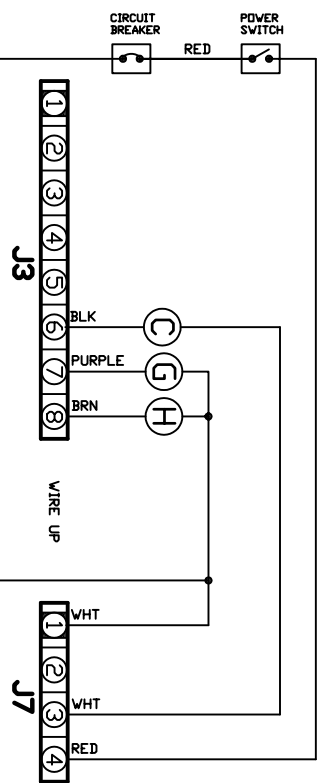
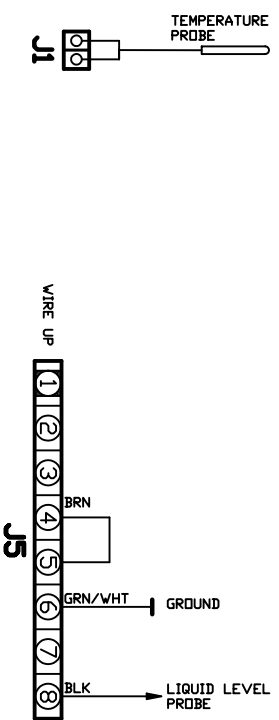


LEGEND:
 C-BREY VALVE
 G-HOT WATER FAUCET
 H-FILL VALVE

FETCO PRODUCT NO. CBS-2031e
 DESCRIPTION: WIRING DIAGRAM, CBS-2031e, LL, L2, N + GRD, & 2 HEATERS OR LL, N + GRD, 1 HEATER
 WIRING DIAGRAM NO. 401217-003
FETCO FOOD EQUIPMENT TECHNOLOGIES COMPANY, INC.
 600 ROSE RD. LAKE ZURICH, IL 60047
 PHONE: (800) 338-2699; (847)-719-3000, FAX: (847)-719-3001
 E-MAIL: techsupport@fetco.com, http://www.fetco.com



LEGEND:
 C-BREY VALVE
 G-HOT WATER FAUCET
 H-FILL VALVE

FETCO PRODUCT NO. CBS-2031e
 DESCRIPTION: WIRING DIAGRAM, CBS-2031e, LL, L2, N + GRD, & 2 HEATERS OR LL, N + GRD, 1 HEATER
 WIRING DIAGRAM NO. 401217-003
FETCO FOOD EQUIPMENT TECHNOLOGIES COMPANY, INC.
 600 ROSE RD. LAKE ZURICH, IL 60047
 PHONE: (800) 338-2699; (847)-719-3000, FAX: (847)-719-3001
 E-MAIL: techsupport@fetco.com, http://www.fetco.com