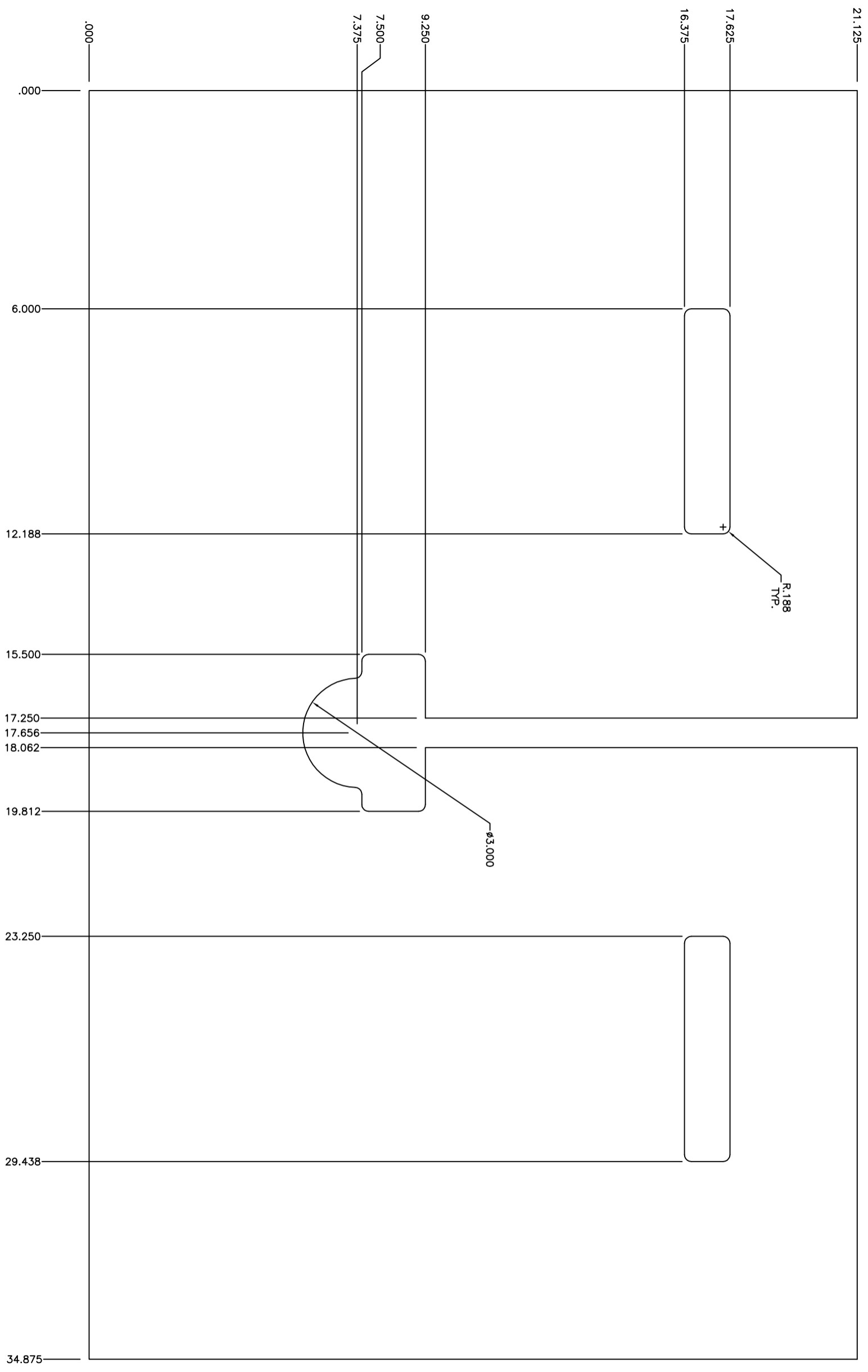


FRONT VIEW



PROPRIETARY AND CONFIDENTIAL.  
 THE INFORMATION CONTAINED IN THIS DRAWING IS THE SOLE PROPERTY OF FETCO.  
 ANY REPRODUCTION IN PART OR AS A WHOLE WITHOUT THE WRITTEN PERMISSION OF FETCO IS PROHIBITED.

TOLERANCES		REVISIONS		DWG. NAME:	
EXCEPT AS NOTED	NO.	DATE	BY	TPD-30 PUMPSKINS LAYOUT	
DECIMAL	1	03-05-2008	M.K.	FETCO FOOD EQUIPMENT TECHNOLOGIES COMPANY, INC. 640 HEATHROW DRIVE, CHANDLER, AZ 85006 USA PHONE: (602) 335-2999, (602) 421-1177 FAX: (602) 335-2998, (602) 421-1177 E-MAIL: technical@fetco.com, Rtp:/www.fetco.com	
+/- .005	2	.	.	DRAWN BY	SCALE 1:2
FRACTIONAL	3	.	.	CHK'D	SIZE
+/- 1/64"	4	.	.	M.L.	C
ANGULAR	5	.	.	APP'D	DATE 08-22-2005
+/- 1/2 DEG				Z.L.	DRAWING NO. 47014-001
					MATERIAL PUMPSKIN