

# TECHNICAL BULLETIN

NUMBER

**3**

**FETCO®**

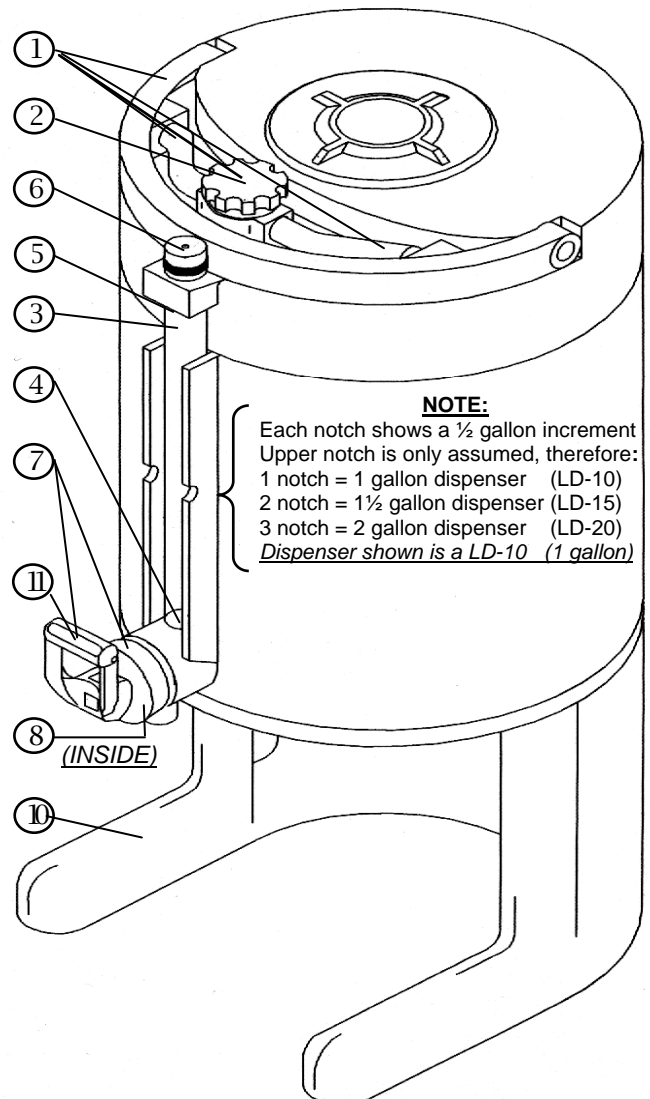
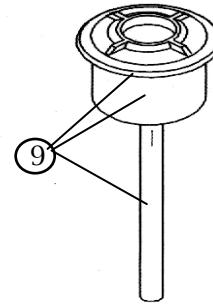
www.fetco.com

email : techsupport@fetco.com

**Subject: Dispenser Replacement Parts**  
**Applies to: LD, TPD, And HBD Series Dispensers**

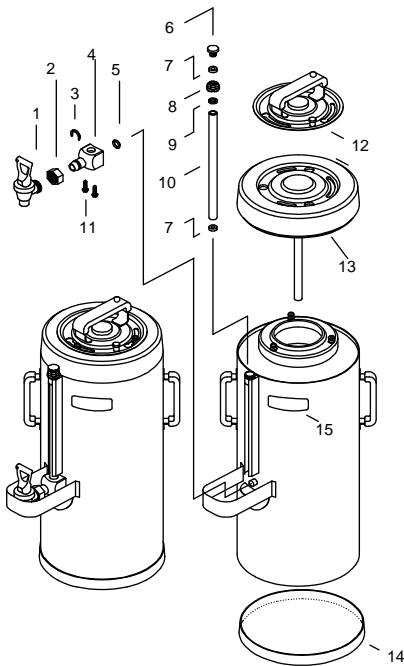
**Date: September 18, 2009**

Reference Number	Part Number	Description
1 All LD Sizes	102068	Handle assembly (includes 3 piece handle, plug-knob assy., screw bushings and screws)
2 All LD Sizes	102067	Plug-Knob Assy. only
3 For LD 10	21044	Sight Gauge tube, 1 gal.
3 For LD 15	21045	Sight Gauge tube, 1.5 gal.
3 For LD 20	21046	Sight Gauge tube, 2 gal.
4 All LD Sizes	83012	Sight Gauge Washer, lower
5 All LD Sizes	83013	Sight Gauge Washer, upper
6 All LD Sizes	71047	Sight Gauge Cap
7 All LD Sizes	71054	Faucet Upper Assembly (includes handle, cap, shank, spring and seat cup)
8 All LD Sizes	71035	Faucet Seat Cup
9 For LD 10	102069	Funnel assembly-1 gal LD
9 For LD 15	102070	Funnel assembly-1.5 gal LD
9 For LD 20	102071	Funnel assembly-2 gal LD
10 All LD Sizes	102066	Base assembly, (includes base, foot, & 3 screws)
11 All LD Sizes	71056	Faucet Handle-Black
11 All LD Sizes	71055	Faucet Handle-Orange
Not Shown	74003	Sight Tube Brush 16"
Not Shown	74002	Sight Tube Brush 12"

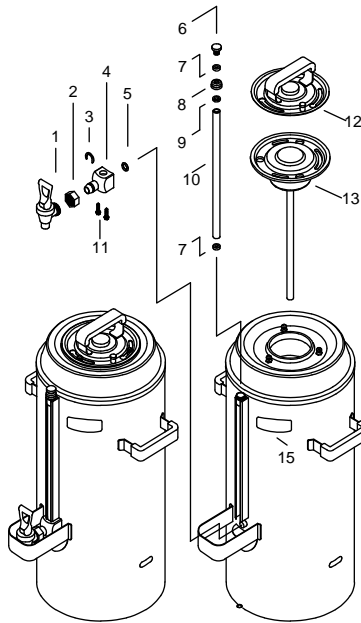


**40.00 minimum for all parts orders.** Shipping charges additional  
Please submit purchase order by FAX (847)-719-3001  
Non-established accounts may prepay, use credit card, or C.O.D.  
Premium next day air service available.

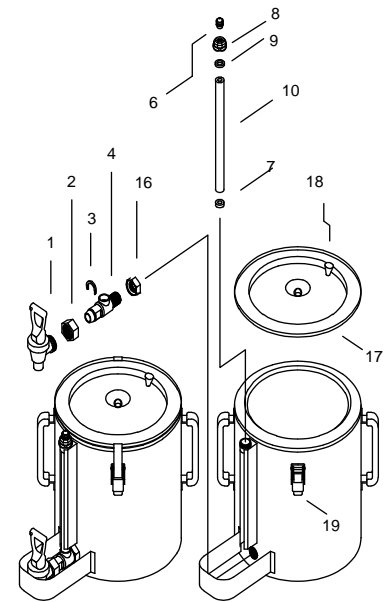
	Description	Part No. TPD-15	Part No. TPD-30	Part No. HBD-1.5
1	Faucet Complete-With Black Handle	71026	71026	71026
1	Faucet Upper Assembly-Black Handle (Handle, spring, shank, seat cup and nut)	71037	71037	71037
(1)	Faucet Seat Cup	71035	71035	71035
(1)	Faucet Handle- Black	71028	71028	71028
(1)	Faucet Handle- Orange Decaf style	71027	71027	71027
2	Faucet Union Nut	31045	31045	31045
3	Faucet "C" clip, for retaining union nut	71036	71036	71036
4	Faucet Shank Assembly	102052	102052	102019
5	Faucet Shank "O" Ring 1/2" X 3/4"	24009	24009	Not Used
6	Vent Top Plug	12018	12018	71025
7	Washer -Lower Sight Gauge Tube	71017	71017	71017
8	Sight Glass Cap	71024	71024	71024
9	Sight Glass Washer: Upper	71018	71018	71018
6-9	Complete Vent Cap & Plug Assembly	102020	102020	102026
10	Sight Glass-Plastic	21033 (10 5/16")	21035 (12 1/2")	21032
10	Sight Glass-Glass	71038 (10 5/16")	71033 (12 1/2")	71016
11	Faucet Shank Screw-2 Required	82015	82015	Not Used
12	Twist Lock Cover Assembly	101038	101038	Not Used
13	Brew Funnel Assembly	101052	101051	Not Used
14	Black Plastic Replacement Bottom	23024	Not Used	Not Used
15	LUXUS Replacement Label	41011	41011	Not Used
16	Faucet Shank Locknut	Not Used	Not Used	13015
17	Cover Assembly	Not Used	Not Used	101079
18	Knob-Cover	Not Used	Not Used	72006
19	Beverage Dispenser Cover Latch	Not Used	Not Used	72005



TPD-15, Used for FETCO CBS-50 series.  
Side handles: Vertical, Capacity 1½ Gallons



TPD-30, Used for FETCO CBS-60 series.  
Side handles: Horizontal, Capacity:3 Gallons



HBD-15, Used for FETCO CBS-11 & 12.  
Side handles: Vertical, Capacity 1½ Gallons