

# TECHNICAL BULLETIN

NUMBER

19

**FETCO**<sup>®</sup>  
[www.fetco.com](http://www.fetco.com)  
email : [techsupport@fetco.com](mailto:techsupport@fetco.com)

**Subject: Grinder Flow Guides**  
**Applies to: GR-1 and GR-2 Grinders**

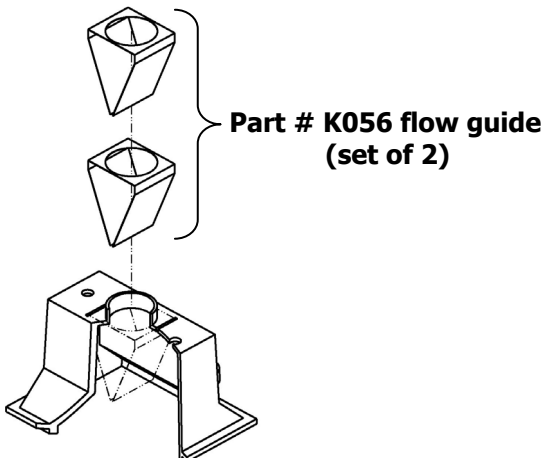
**Date: November 11, 2005**

The flow guides for GR-1 and GR-2 grinders have been changed. Part number 03214 has been replaced by part number K056.

The new part number, K056, consists of a set of 2 identical flow guides. One is placed on top of the other and inserted into the coffee outlet.

This new double flow guide configuration performs better with a wide range of grind particle sizes from extremely fine to coarse.

When a quantity of 1 K056 is ordered, you will receive the set of two flow guides.



**Discontinued**  
**Part # 03214 flow guide**

