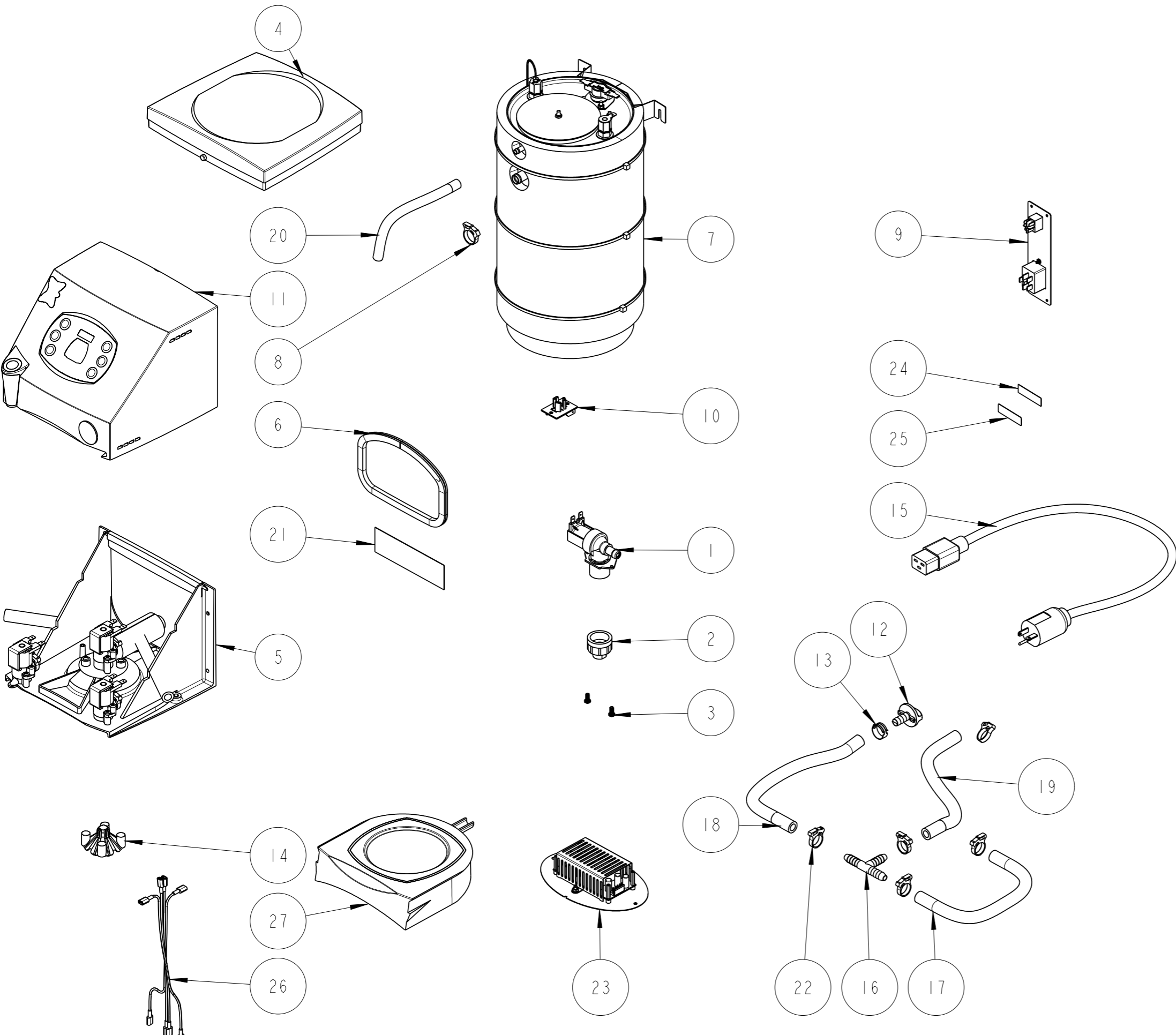


REVISIONS

A

REV	DATE	ECO NO	DESCRIPTION	BY:
A	01/14/2009	N/A	ORIGINAL	DK



ITEM NO	QTY	PART NO	DESCRIPTION
27	1	1102.00009.00	TRAY, ASSEMBLY, WARMER 2021P
26	1	1402.00002.00	HARNESS, CBS-2021, UNIVERSAL
25	1	1044.00001.00	LABEL, "FOR USE ON INDIVIDUAL BRANCH C
24	1	1046.00002.00	LABEL, CAUTION, "RISK OF FIRE AND ELEC
23	1	1102.00014.00	COVER ASSEMBLY, POWER SUPPLY
22	5	1086.00001.00	CLAMP, HOSE, .590"- .673" DIA RANGE
21	1	1046.00003.00	LABEL, CSD WARNING, 1.5" X 5.0"
20	1	1025.00005.00	TUBE, 1/2"OD X 1/4"ID X 7"LG, VENT
19	1	1025.00004.00	TUBE, 5/8"OD X 3/8"ID X 8"LG, TANK WATE
18	1	1025.00003.00	TUBE, 5/8"OD X 3/8"ID X 10"LG, TANK DRA
17	1	1025.00002.00	TUBE, 5/8"OD X 3/8"ID X 11.5"LG, COLD W
16	1	1029.00002.00	FITTING, HOSE BARB TEE, SIZE 3/8" , NYL
15	1	1063.00001.00	CORD, POWER, IEC-320-19, 20 AMP
14	1	1102.00006.00	CASCADE SPRAY DOME ASSEMBLY, CBS-2021
13	1	1086.00003.00	CLAMP, FAUCET HOSE 17-19mm
12	1	1023.00010.00	PLUG, TANK SERVICE DRAIN
11	1	1102.00003.00	HOUSING ASSEMBLY, BREWER FRONT
10	1	1051.00003.00	BOARD, PCB TRIAC DRIVER
9	1	1102.00005.00	COVER ASSEMBLY, POWER INLET
8	1	1086.00002.00	CLAMP, HOSE, .670"- .780" DIA RANGE
7	1	1104.00001.00	ASSEMBLY, TANK CBS-2021P, 2100W/120VAC
6	1	1024.00005.00	GASKET, "U" CHANNEL, 17.0" LONG
5	1	1102.00001.00	SHELF ASSEMBLY, CBS-2021 COMPLETE
4	1	1023.00007.00	TOP, UNIVERSAL
3	2	1082.00010.00	SCREW, M4x10 ZINC PLATED PAN PHILLIPS M
2	1	1102.00013.00	ADAPTER ASSEMBLY, 3/4" BSP x 1/4" NPT
1	1	1057.00003.00	VALVE, COLD WATER INLET, 24VDC

BILL OF MATERIALS

TOLERANCES UNLESS OTHERWISE SPECIFIED	<p>FETCO FOOD EQUIPMENT TECHNOLOGIES COMPANY 600 ROSE ROAD, LAKE ZURICH, IL 60047, USA PHONE: (800) 338-2699 (847) 719-3002 E-MAIL: engineering@fetco.com www.fetco.com</p>		
	DRAWING NAME: SERVICE PARTS, CBS-2021P 2100W/120VAC		
ALL DIMENSIONS IN INCHES	CREATED BY:	DATE	DRAWING NO.
	DK	01/14/2009	1109.00001.00
ALL DECIMAL ± .005" ANGULAR ± 1/2°	CHK'D BY:	SCALE	REVISION
	ML	0.091	
THIRD-ANGLE	APP'D BY:	SHEETS	
	LMW	1 of 1	
MATERIAL	Gauge	FINISH	
N/A	N/A	N/A	

PROPRIETARY AND CONFIDENTIAL. THE INFORMATION CONTAINED IN THIS DRAWING IS THE SOLE PROPERTY OF FETCO. ANY REPRODUCTION IN PART OR AS A WHOLE WITHOUT THE WRITTEN PERMISSION OF FETCO IS PROHIBITED.