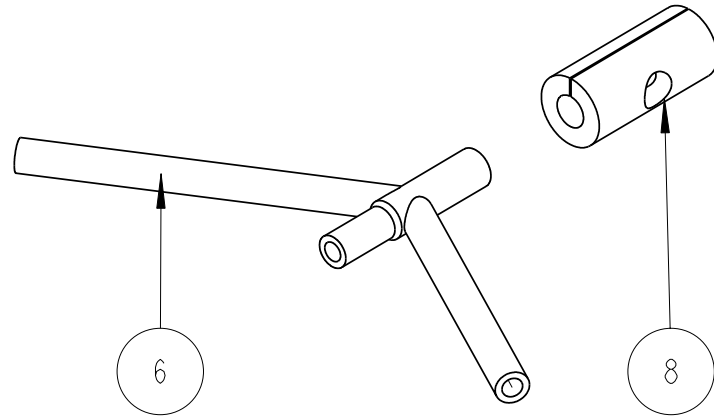
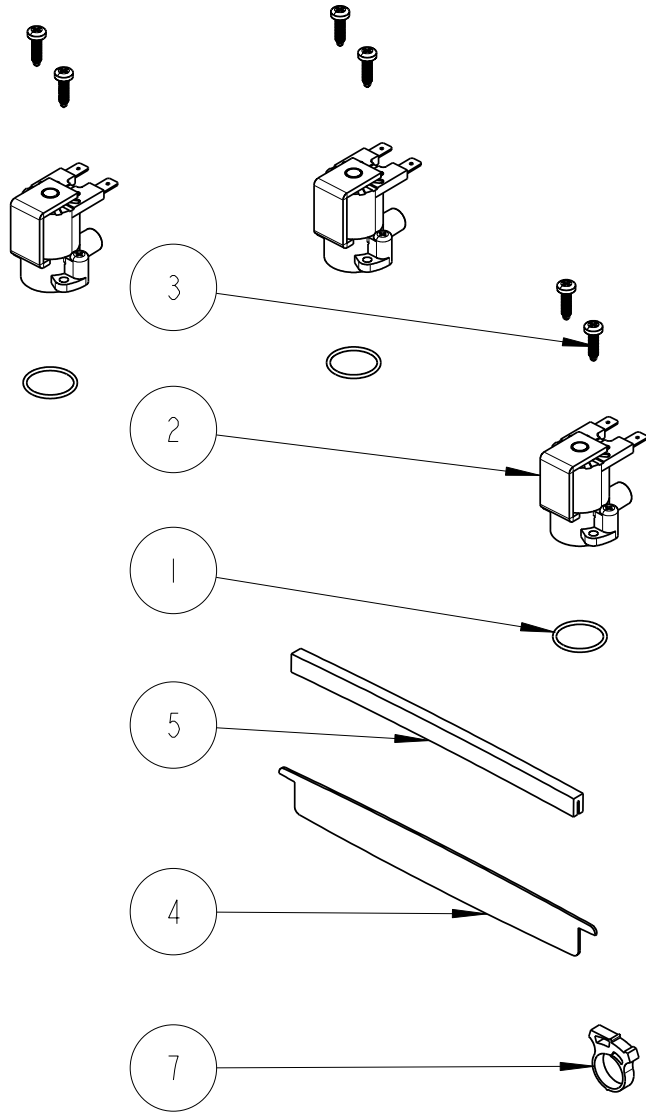


REVISIONS

REV	DATE	ECO NO	DESCRIPTION	BY:	A
A	01/15/2009	N/A	ORIGINAL	DK	



ITEM NO	QTY	PART NO	DESCRIPTION
8	1	1022.00003.00	INSULATION, BREW TUBE, CBS-2021
7	3	1086.00001.00	CLAMP, HOSE, .590"-.673" DIA RANGE
6	1	1024.00003.00	TUBE, WATER DISTRIBUTION, CBS-2021
5	1	1024.00004.00	GASKET, "U" CHANNEL 6.75 LONG
4	1	1003.00002.00	BRACKET, GASKET CBS-2021
3	6	1082.00005.00	SCREW, #7 x 5/8" LG, PHIL PAN HD TYPE AB,
2	3	1057.00004.00	VALVE, LOW PRESSURE, 24VDC
1	3	1024.00002.00	O RING, AS568A-019, BUNA-N

BILL OF MATERIALS

TOLERANCES UNLESS OTHERWISE SPECIFIED ALL DIMENSIONS IN INCHES ALL DECIMAL ± .005" ANGULAR ± 1/2° THIRD-ANGLE 	FETCO FOOD EQUIPMENT TECHNOLOGIES COMPANY 600 ROSE ROAD, LAKE ZURICH, IL 60047. USA PHONE: (800) 338-2699 (847) 719-3002 E-MAIL: engineering@fetco.com www.fetco.com		
	DRAWING NAME: SERVICE PARTS, CBS-2021 SHELF		
	CREATED BY: DK	DATE: 01/15/2009	DRAWING NO: 1109.00005.00
	CHK'D BY: ML	SCALE: 0.360	REVISION: A
APP'D BY: LMW	SHEETS: 1 of 1		
MATERIAL: N/A	GAUGE: N/A	FINISH: N/A	