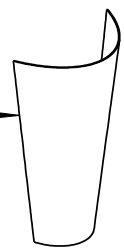
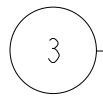
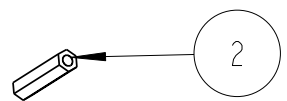
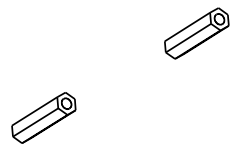
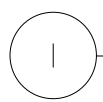
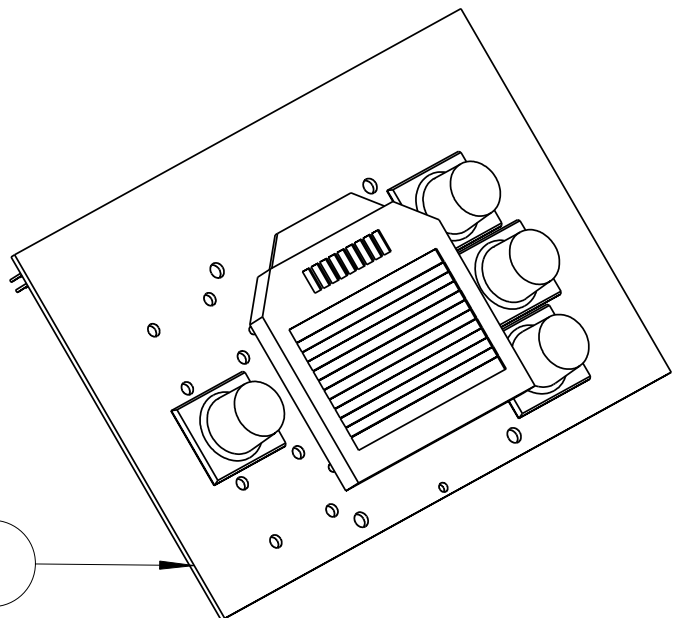


REVISIONS				BY:	A
REV	DATE	ECO NO	DESCRIPTION		
A	01/15/2009	N/A	ORIGINAL	DK	



ITEM NO	QTY	PART NO	DESCRIPTION
3	1	1041.00003.00	LABEL, CAUTION HOT WATER
2	4	1081.00002.00	STANDOFF, 4.5MM HEX x 20MM x M3 THREAD
1	1	1108.00001.00	BOARD, ASSEMBLY, PCB, CONTROL CBS-2021

BILL OF MATERIALS

<p>TOLERANCES UNLESS OTHERWISE SPECIFIED</p> <p>ALL DIMENSIONS IN INCHES</p> <p>ALL DECIMAL ± .005" ANGULAR ± 1/2°</p> <p>THIRD-ANGLE</p>	<p>FETCO FOOD EQUIPMENT TECHNOLOGIES COMPANY 600 ROSE ROAD, LAKE ZURICH, IL 60047, USA PHONE: (800) 338-2699 (847) 719-3002 E-MAIL: engineering@fetco.com www.fetco.com</p>		
	DRAWING NAME: SERVICE PARTS, BREWER FRONT		
	CREATED BY: DK	DATE: 01/15/2009	DRAWING NO: 1109.00007.00
	CHK'D BY: ML	SCALE: 0.167	REVISION: A
APP'D BY: LMW	SHEETS: 1 of 1		
MATERIAL: N/A	GAUGE: N/A	FINISH: N/A	

PROPRIETARY AND CONFIDENTIAL.
THE INFORMATION CONTAINED IN THIS DRAWING IS THE SOLE PROPERTY OF FETCO.
ANY REPRODUCTION IN PART OR AS A WHOLE WITHOUT THE WRITTEN PERMISSION OF FETCO IS PROHIBITED.