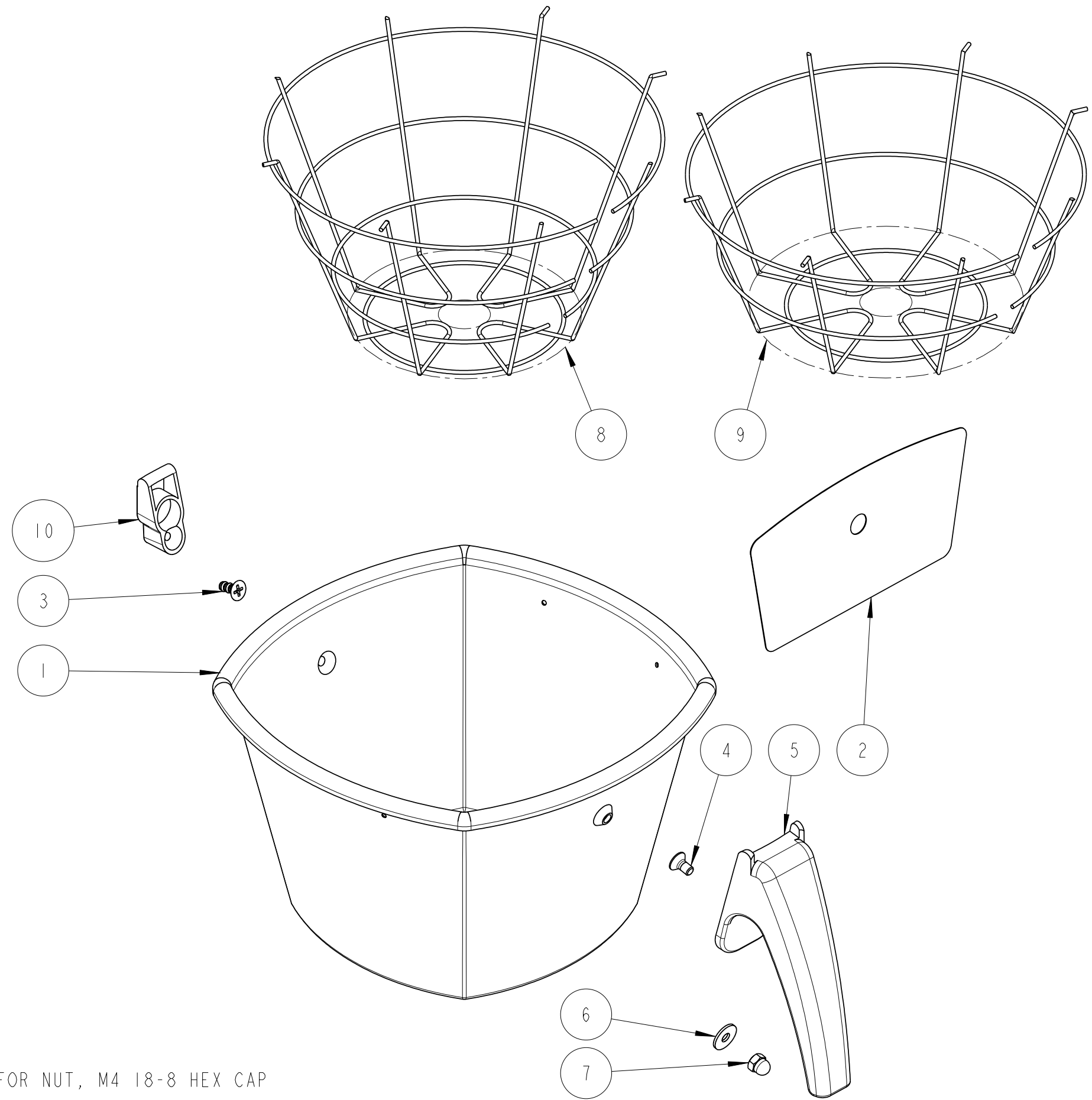


REVISIONS				
REV	DATE	ECO NO	DESCRIPTION	BY:
A	01/15/2009	N/A	ORIGINAL	DK

**A**



ITEM NO	QTY	PART NO	DESCRIPTION
10	1	1102.00012.00	HOUSING, BREW BASKET MAGNET ASSEMBLY
9	1	1009.00002.00	WIRE BASKET, SMALL
8	1	1009.00001.00	WIRE BASKET, LARGE
7	1	1084.00003.00	NUT, M4 18-8 HEX CAP
6	1	1083.00002.00	WASHER, M4x12 OD 18-8 MACHINE SCREW
5	1	1023.00001.00	HANDLE, BREW BASKET
4	1	1082.00001.00	SCREW, M4x10 18-8 FLAT PHILLIPS MACHINE
3	1	1082.00002.00	SCREW, 8x1/2 18-8 FLAT PHILLIPS AB THRE
2	1	1046.00001.00	LABEL, WARNING BREW BASKET
1	1	1004.00001.00	BREW CONE, 5MM DRAIN HOLE

BILL OF MATERIALS			
TOLERANCES UNLESS OTHERWISE SPECIFIED		<b>FETCO</b> FOOD EQUIPMENT TECHNOLOGIES COMPANY 600 ROSE ROAD, LAKE ZURICH, IL 60047. USA PHONE: (800) 338-2699 (847) 719-3002 E-MAIL: engineering@fetco.com www.fetco.com	
ALL DIMENSIONS IN INCHES		DRAWING NAME: <b>SERVICE PARTS, BREW BASKET, 5MM DRAIN HOLE</b>	
ALL DECIMAL ± .005" ANGULAR ± 1/2°	CREATED BY: DK	DATE: 01/15/2009	DRAWING NO. <b>1109.00006.00</b>
THIRD-ANGLE	CHK'D BY: ML	SCALE: 0.550	REVISION A
	APP'D BY: LMW	SHEETS 1 of 1	
MATERIAL N/A	GAUGE N/A	FINISH N/A	

NOTE:  
USE LOCTITE FOR NUT, M4 18-8 HEX CAP  
BALLOON #7

PROPRIETARY AND CONFIDENTIAL.  
THE INFORMATION CONTAINED IN THIS DRAWING IS THE SOLE PROPERTY OF FETCO.  
ANY REPRODUCTION IN PART OR AS A WHOLE WITHOUT THE WRITTEN PERMISSION OF FETCO IS PROHIBITED.