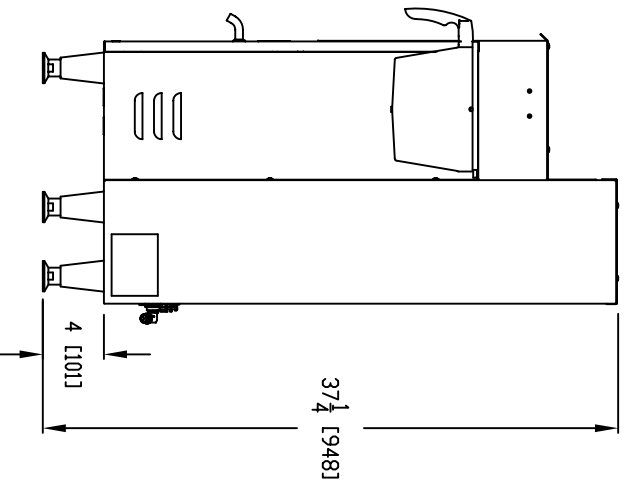
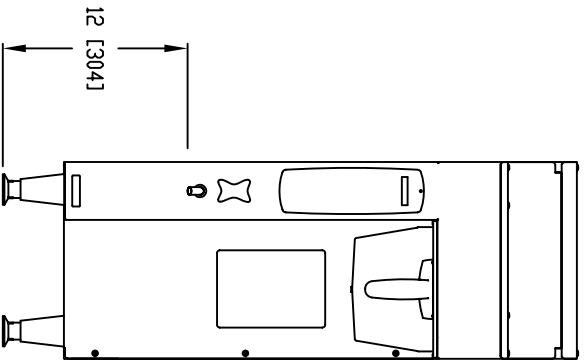
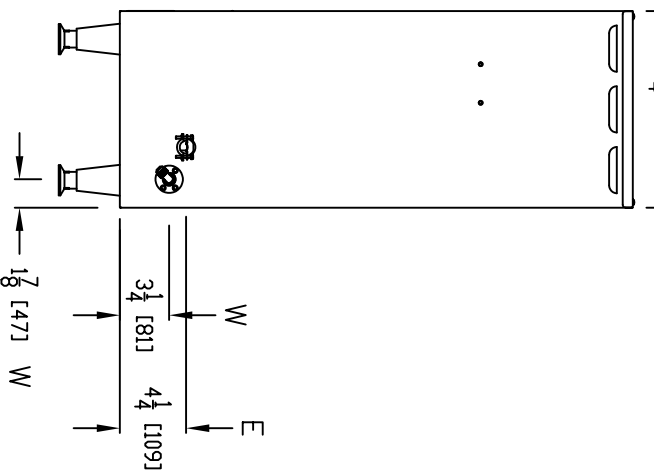
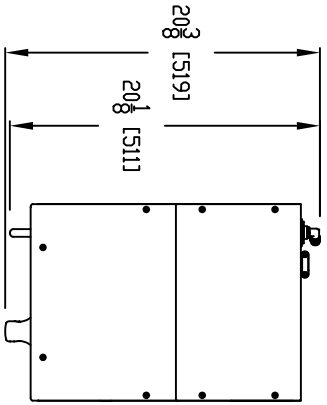


ELECTRIC INPUT AND WATER CONNECTION
FROM REAR

WATER INLET:
FITTING, 90 DEG. MALE ELBOW,
3/8" TUBE OD X 3/8" MPT

BACK VIEW
← 12³/₄ [3241] →

TOTAL WEIGHT
EMPTY, WITHOUT DISPENSER
55 lbs.



DIMENSIONS IN
PARENTHESES ARE
METRIC

FETCD

640 HEATHROW DRIVE, LINCOLNSHIRE, IL. 60069, TEL: (800) FETCD-99

MODEL:

CBS-2051e

ROUGH IN SPECIFICATION

DRV. NO.

201106-000

SCALE:

1:13