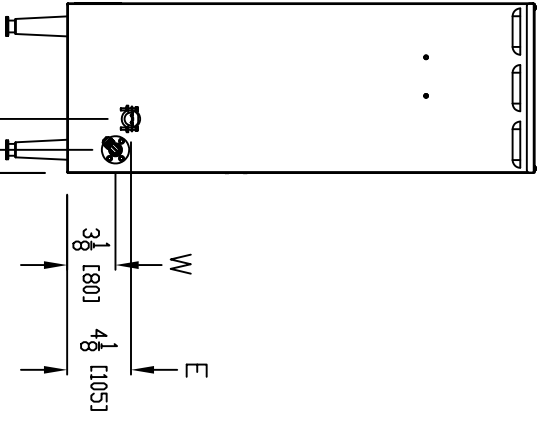
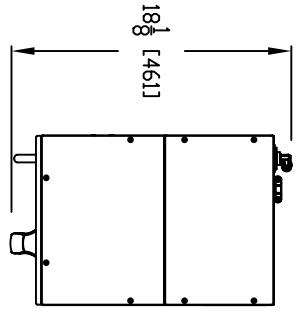


ELECTRIC INPUT AND WATER CONNECTION FROM REAR

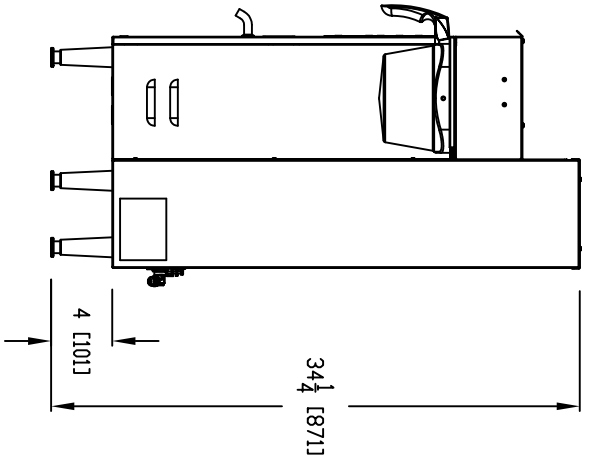
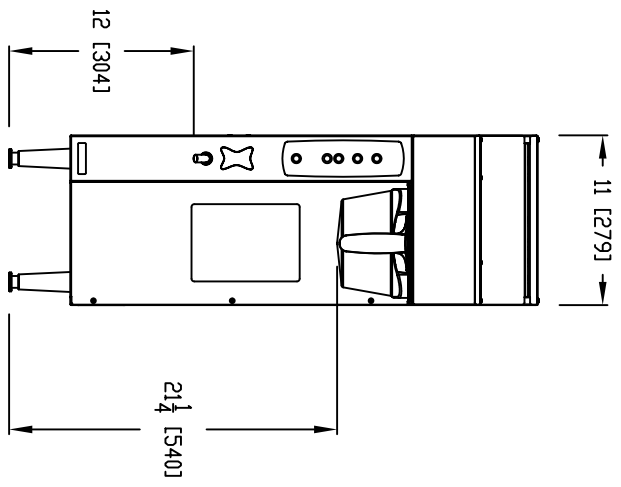
WATER INLET: FITTING, 90 DEG. MALE ELBOW, 3/8" TUBE OD X 3/8" MPF

BACK VIEW

TOTAL WEIGHT EMPTY, WITHOUT DISPENSER 92 lbs.



W - WATER  
E - ELECTRIC



DIMENSIONS IN PARENTHESIS ARE METRIC