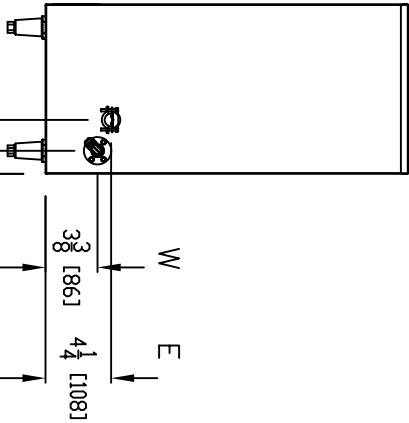
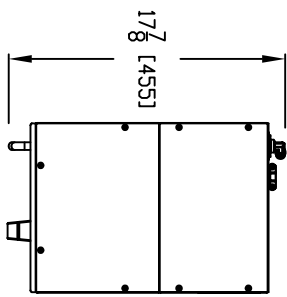


ELECTRIC INPUT AND WATER CONNECTION FROM REAR

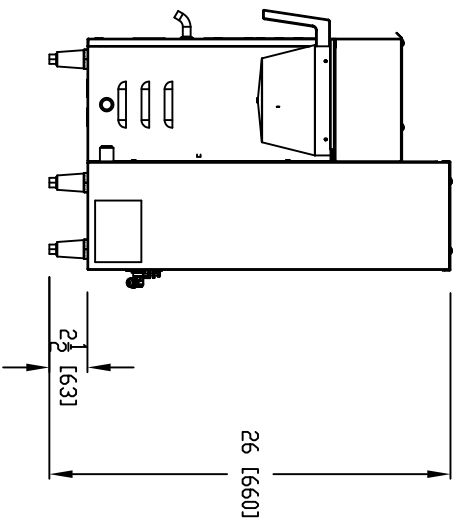
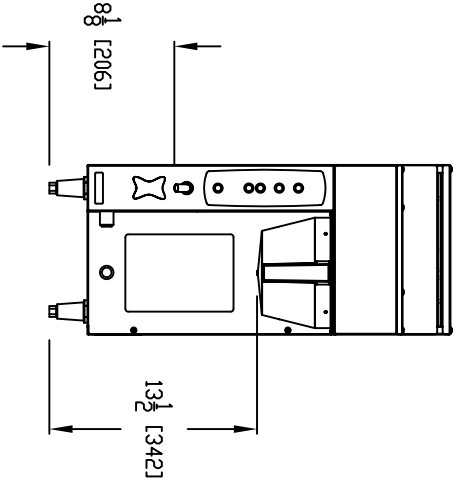
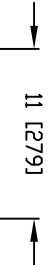
WATER INLET: FITTING, 90 DEG. MALE ELBOW, 3/8" TUBE OD X 3/8" MPT

BACK VIEW

TOTAL WEIGHT EMPTY, WITHOUT DISPENSER 35 lbs.



W - WATER
E - ELECTRIC



DIMENSIONS IN PARENTHESIS ARE METRIC