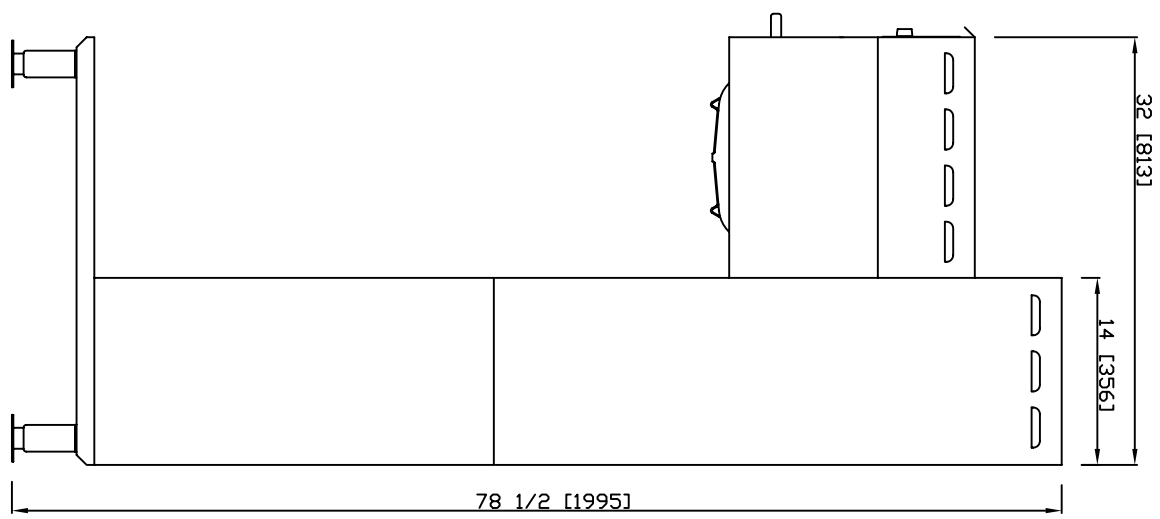
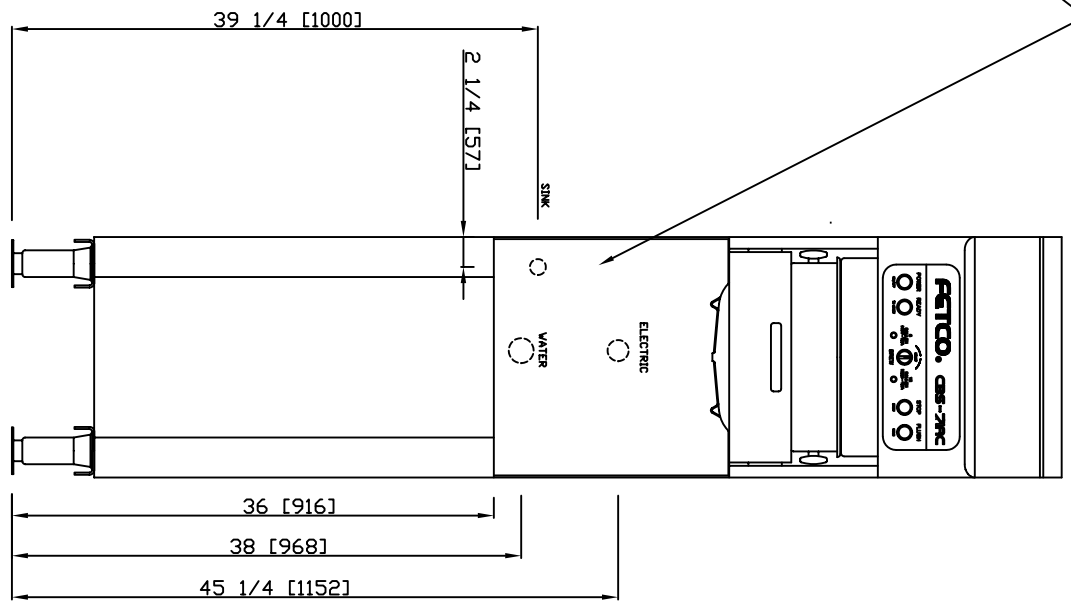
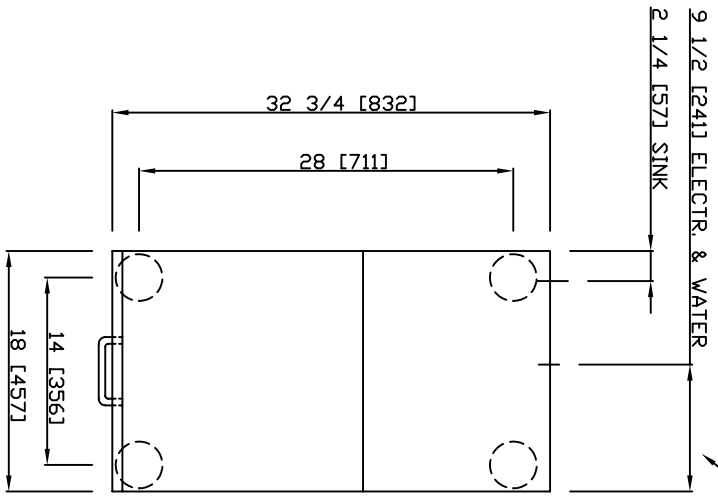


ELECTRIC INPUT AND WATER CONNECTION  
FROM REAR



MODEL: FETCD 640 HEATHROW DRIVE, LINCOLNSHIRE, IL. 60069, TEL: (800) FETCD-99  
 CBS-71AC ROUGHING-IN SPECIFICATION  
 SCALE: 1:15  
 DRW. NO. 201125-000