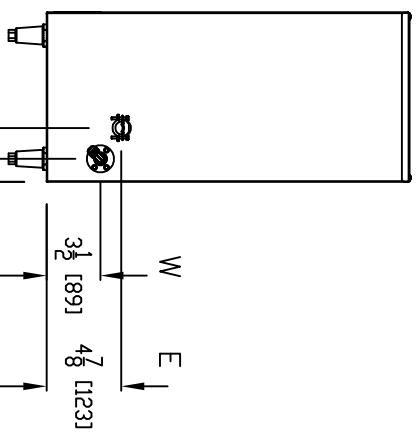
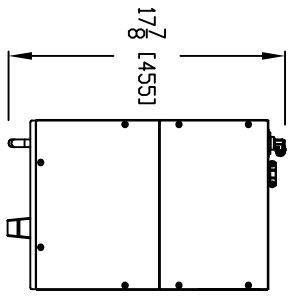


ELECTRIC INPUT AND WATER CONNECTION FROM REAR

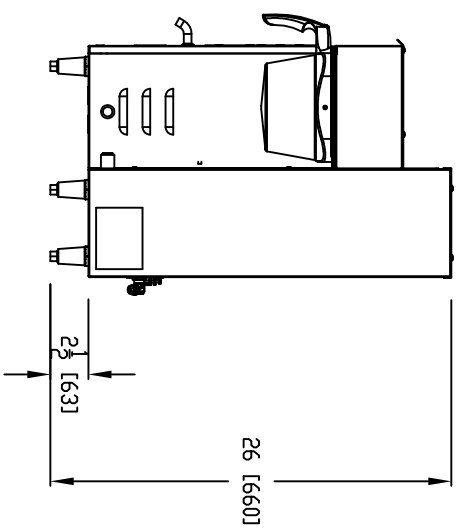
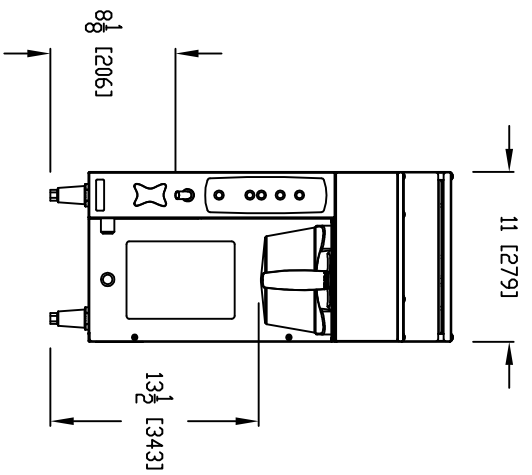
WATER INLET: FITTING, 90 DEG. MALE ELBOW, 3/8" TUBE OD X 3/8" MPT

BACK VIEW

TOTAL WEIGHT EMPTY, WITHOUT DISPENSER 35 lbs.



W - WATER
E - ELECTRIC



DIMENSIONS IN PARENTHESIS ARE METRIC

FETCD

600 ROSE RD, LAKE ZURICH IL 60047, TEL: (800) FETCD-99 , 1-(847)-719-3002

MODEL: CBS-2031s

ROUGH IN SPECIFICATION

DRW. NO.

201132-001

SCALE:

1 : 13