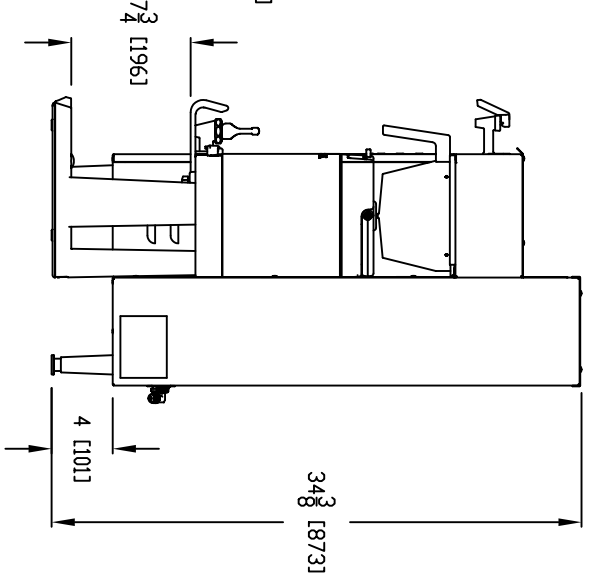
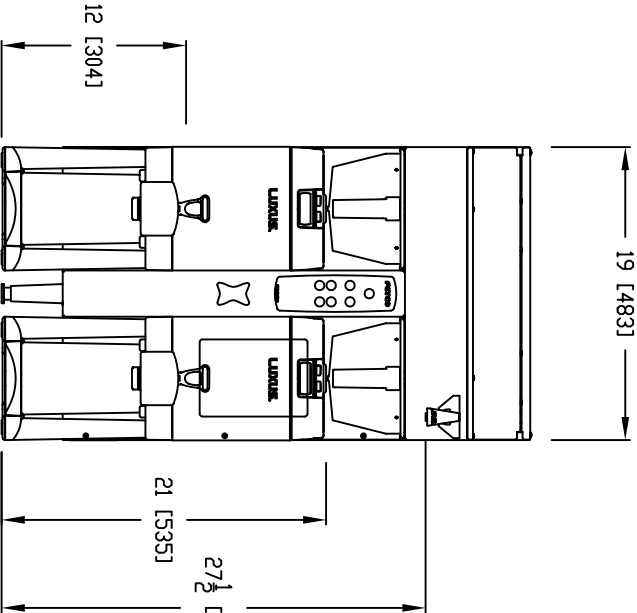
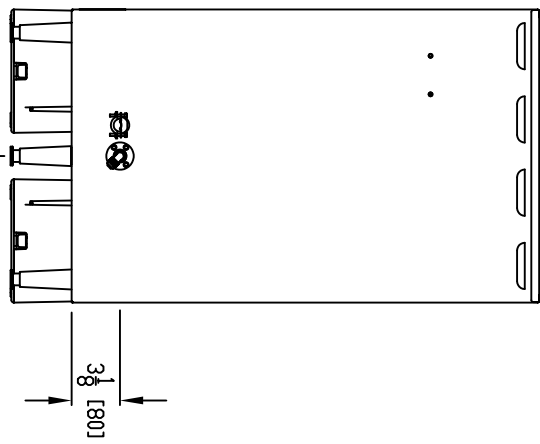
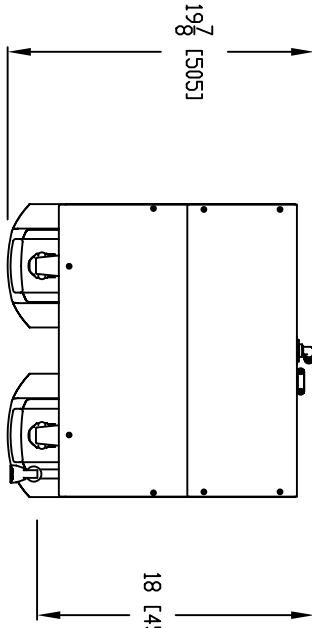


ELECTRIC INPUT AND WATER CONNECTION FROM REAR

WATER INLET: FITTING, 90 DEG. MALE ELBOW, 3/8" TUBE OD X 3/8" MPT

BACK VIEW

TOTAL WEIGHT EMPTY, WITHOUT DISPENSER xx lbs.



DIMENSIONS IN PARENTHESIS ARE METRIC

FETCD

600 ROSE ROAD, LAKE ZURICH, IL. 60047, TEL: (800) FETCD-99, 1-(847)-719-3000

MODEL: CBS-2042e WITH L3D10

ROUGH IN SPECIFICATION

DRV. NO. 201144-000

SCALE: 1:13