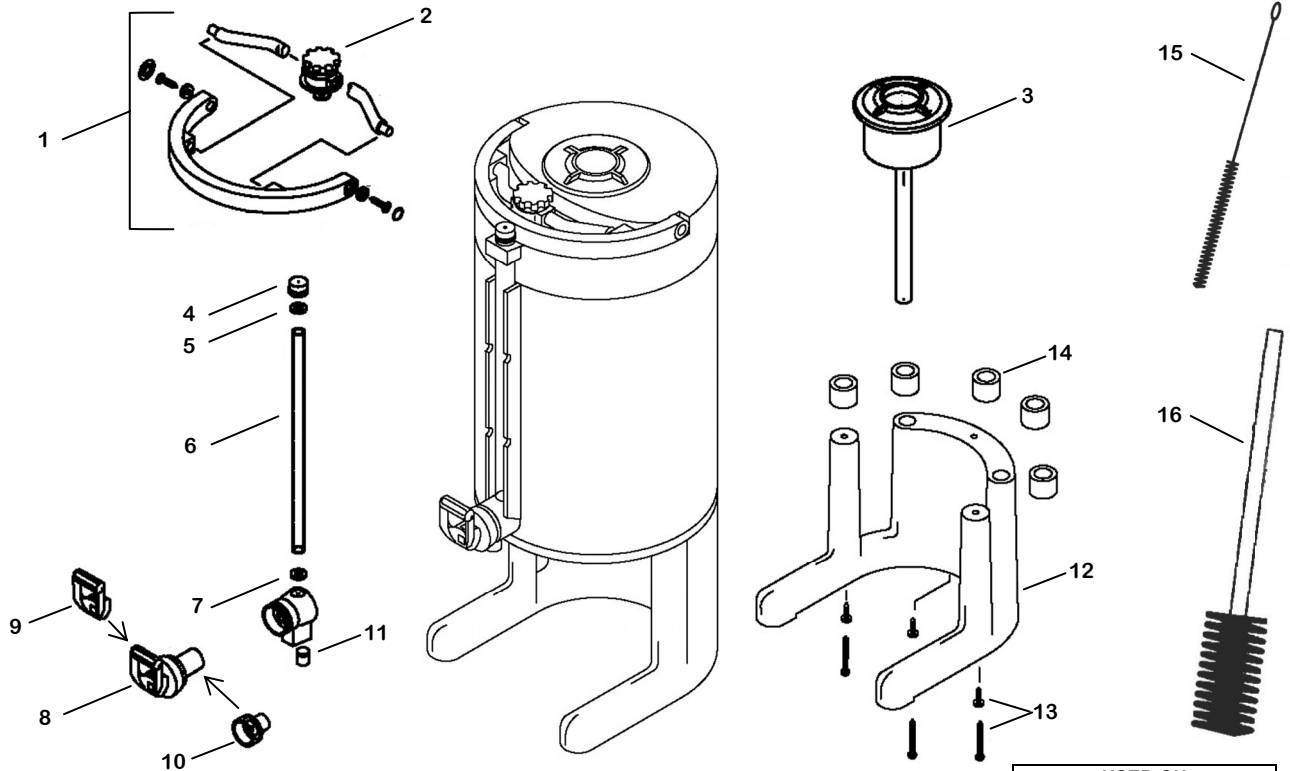




LD & LS Series Dispensers Replacement Parts



| ITEM | QTY | PART NO. | DESCRIPTION | USED ON | | |
|------|-----|----------|--|----------------|----------------|----------------|
| | | | | LD-10 LS-10 | LD-15 LS-15 | LD-20 LS-20 |
| 1 | 1 | 102068 | handle assembly (includes 3 piece handle, plug-knob assy., screws and bushings.) | ✓ | ✓ | ✓ |
| 2 | 1 | 102067 | plug-knob assy. only | ✓ | ✓ | ✓ |
| 3 | 1 | 102069 | funnel assembly, 1 gal | ✓ | | |
| 3 | 1 | 102070 | funnel assembly, 1.5 gal | | ✓ | |
| 3 | 1 | 102071 | funnel assembly, 2 gal | | | ✓ |
| 4 | 1 | 71047 | sight gauge cap | ✓ | ✓ | ✓ |
| 5 | 1 | 83013 | sight gauge washer, upper | ✓ | ✓ | ✓ |
| 6 | 1 | 21044 | sight gauge tube, 1 gal. | ✓ | | |
| 6 | 1 | 21045 | sight gauge tube, 1.5 gal. | | ✓ | |
| 6 | 1 | 21046 | sight gauge tube, 2 gal. | | | ✓ |
| 7 | | 83012 | sight gauge washer, lower | ✓ | ✓ | ✓ |
| 8 | 1 | 71054 | faucet upper assembly (includes black handle, bonnet, shank, spring and seat cup) | ✓ | ✓ | ✓ |
| 9 | 1 | 71056 | faucet handle-black | ✓ | ✓ | ✓ |
| 9 | 1 | 71055 | faucet handle-orange | ✓ | ✓ | ✓ |
| 10 | 1 | 71035 | faucet seat cup | ✓ | ✓ | ✓ |
| 11 | 1 | 13056 | faucet spout extension, threaded | ✓ | ✓ | ✓ |
| 12 | 1 | 102066 | base assembly, (includes base, foot, & 3 screws) | ✓ | ✓ | ✓ |
| 13 | 3 | 82034 | screw, #10 X 3/4" | ✓ | ✓ | ✓ |
| 13 | 3 | 82120 | screw, #10 X 2-1/2" (required for #14 – LD base extension) | ✓ | ✓ | ✓ |
| 14 | 5 | 21078 | LD base extension, 5/8", w/screw (OPTIONAL) | ✓ | ✓ | ✓ |
| 14 | 5 | 21082 | LD base extension, 7/8", w/screw (OPTIONAL) | ✓ | ✓ | ✓ |
| 14 | 5 | 21079 | LD base extension, 1 1/2", w/screw (OPTIONAL) | ✓ | ✓ | ✓ |
| 15 | 1 | 74003 | sight gauge brush, 16" | ✓ | ✓ | ✓ |
| 16 | 1 | 74005 | urn brush | ✓ | ✓ | ✓ |

Nov-06

Parts orders: Fax to 847-719-3001 or email to parts@fetco.com. Check prices at www.fetco.com.

