

# FETCO<sup>®</sup>

## CORPORATION

ITEM NUMBER: \_\_\_\_\_

MODEL TBS-21A  
SERIES Iced Tea / Hot Tea

**Exceptional Tea  
Deserves Exceptional Brewing**



Dispenser Sold Separate



### Introduction

The best glasses of iced tea and hot tea have optimal contact times. The TBS-21A utilizes FETCO's patented intermittent spray feature to control the amount of time the water stays in contact with the tea leaves. Dilution either at the end of the brew cycle (with or without a delay) or during the brew cycle (in between sprays) allows for total control over the finished product iced tea product.

### Features

With effortless external calibration one can program up to 2 independent batches. These batches can be independently programmed for both iced tea and hot tea. It is now possible to design different recipes for both iced tea and hot tea, to achieve the perfect glass of tea, by controlling the variables of extraction independently.

### The Ultimate in Iced-Tea Dispensing

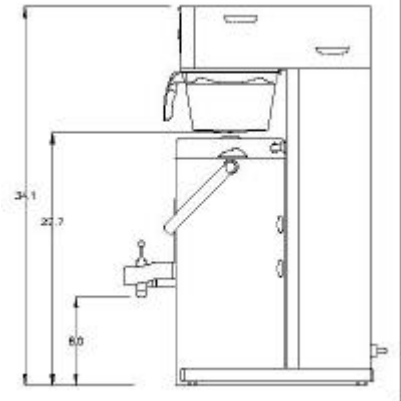
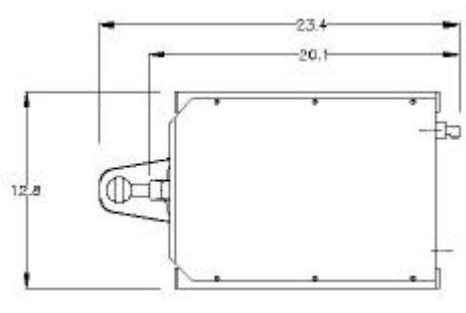
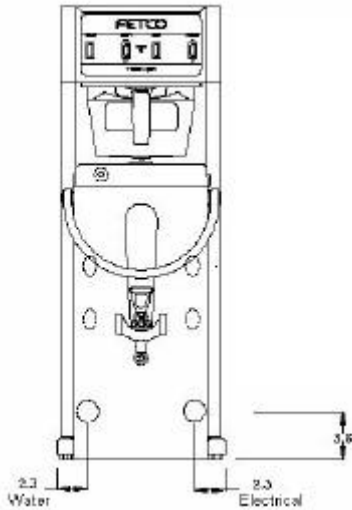
FETCO® tea dispensers are totally portable, once filled, they can be taken anywhere; wait stations, indoors, outdoors, or to different floors for hours of reliable service. Finally, an iced-tea dispenser that is attractive enough to merchandise your tea in any serving location. Furthermore, this dispenser incorporates an innovative, dishwasher safe liner for easy cleaning.

FETCO® Corporation  
640 Heathrow Drive  
Lincolnshire, Illinois 60069  
USA

Phone: (847) 821-1177  
Toll Free: (800) FETCO-99  
FAX: (847) 821-1178  
sales@fetco.com  
<http://www.fetco.com>

**Consultant & Contractor Approvals:**

**MODEL TBS-21A**  
**SERIES Iced Tea / Hot Tea**



**Dimensions (Brewer):**

Height - 34" (850mm) Width - 12 3/4" (320mm) Depth - 20" (500mm)

**Dimensions (Shipping):** *Ships By Pallet*

Height - 34" (850mm) Width - 12 3/4" (320mm) Depth - 20" (500mm)

Weight - 76 lbs (34.5 kg)

**Water Requirements:**

20 -75 psig, 1.5 gpm flow rate, water inlet is 3/8 male flare

| Electrical Config. Code | Heater Configuration | Voltage (AC) | Phase  | Wires      | KW  | Maximum Amp draw | Batches Per Hour * |
|-------------------------|----------------------|--------------|--------|------------|-----|------------------|--------------------|
| E21016                  | 1 X 2.1KW            | 120          | single | 2 + ground | 2.2 | 18.0             | 6.0                |

\* based on factory settings

**Options**

- Z004 Custom Color Finish
- Z005 Color Coded Faucet Handle

**Dispensers**

- D031 3.0 Gallon Iced-Tea Dispenser (ITD-30)
- D041 3.0 Liter Stainless Steel Lined Lever Airpot
- D042 Case of 3.0 Liter Stainless Steel Lined Lever Airpots (Case of 6)

**Accessories**

- A015 Round Drip Tray
- A039 In-Line Water Filter With Cartridge
- A070 3.0 Gallon Iced-Tea Dispenser Liner
- A075 Replacement Water Filter Cartridge
- A081 13" x 5" Iced-Tea Basket

**Filters**

- F001 15" x 5" paper Filters (500 Per Case) Standard
- F002 13" x 5" Paper Filters (500 Per Case)

**FETCO® Corporation**  
**640 Heathrow Drive**  
**Lincolnshire, Illinois 60069**  
**USA**

**Phone: (847) 821-1177**  
**Toll Free: (800) FETCO-99**  
**FAX: (847) 821-1178**  
**sales@fetco.com**  
**http://www.fetco.com**

Printed in USA 2002

FETCO, LUXUS, Extractor, Pulse-Brew are all trademarks or registered trademarks of Food Equipment Technologies Company.