

# FETCO®

ITEM NUMBER: \_\_\_\_\_

**MODEL LS-20  
SERIES LS**

## NATURAL EVOLUTION



It Started in 1987.....

We pioneered the **LUXUS® THERMAL DISPENSER**, dreaming that one day it would become the standard for dispensing coffee that always tastes "just brewed". Fifteen years and hundreds of thousands of dispensers later our vision is the mark of serving the freshest tasting coffee.

Now for those who are driven and passionate about providing the best coffee, we present our newest model of

**LUXUS® THERMAL DISPENSERS** with these patented innovations:

**Thermally Insulated**

**Brew Through Lid**

**Notched Sight Gauge**

**Custom Colors Available**

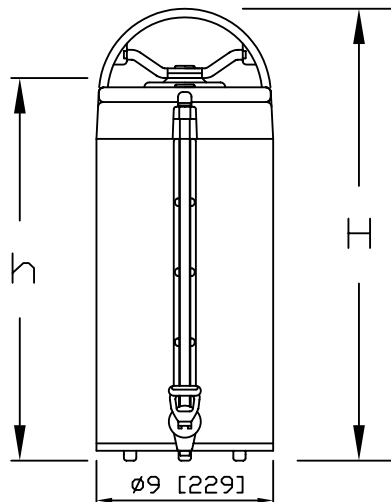
**Consultant & Contractor Approvals:**

**The LUXUS® Thermal Dispenser**  
Brewing directly into our LUXUS® Thermal Dispenser ensures a continuous flow of hot, aromatic, great tasting coffee. LUXUS® Thermal Dispensers are totally portable and require no electric power to maintain serving temperature. LUXUS® Thermal Dispensers remove the hazards of utilizing glass-lined products without loss of performance, while adding the durability of stainless steel.

**FETCO®  
600 Rose Road  
Lake Zurich, IL 60047-0429  
USA**

**Phone: (847) 719-3000  
Toll Free: (800) FETCO-99  
FAX: (847) 719-3001  
sales@fetco.com  
http://www.fetco.com**

**MODEL LS-20  
SERIES LS**



MODEL	HEIGHT in/mm		WEIGHT lbs/kg		
	Close	Open	Empty	Full	In box
LS-20	19.5/495	23/584	9/4.05	25.7/11.56	10.6/4.77

LS-20

2 Gal.

ITEM / CAPACITY

D015 / 2.0 Gallon

SHIPMENT DIMENSIONS / WEIGHT

W10 D13 H27 / 11lbs

**ACCESSORIES**

- A009 Brewing Stand For LS Models (BS-1)
- A011 Single Serving Stand For LS Models (SS-1)
- A012 Twin Serving Stand For LS Models (SS-2)
- A013 Triple Serving Stand For LS Models (SS-3)
- A069 Identifier Plate, Acrylic

**OPTIONS**

- Z067 Wrap Application

**COLORED FINISH**

- C Rose Gold Mirror Finish
- G Gold Mirror Finish
- V Sterling Mirror Finish
- P Black Powder Finish
- R Red Powder Finish
- N Green Powder Finish

**FETCO®**  
**600 Rose Road**  
**Lake Zurich, IL 60047-0429 USA**  
**Phone: (847) 719-3000 Toll Free: (800) FETCO-99**  
**FAX: (847) 719-3001**  
**sales@fetco.com http://www.fetco.com**

FETCO, LUXUS, Extractor, Pulse-Brew, Driven To Pioneer Innovation and product dress are all trademarks or registered trademarks of Food Equipment Technologies Company