

# FETCO®

ITEM NUMBER: \_\_\_\_\_

**MODEL ITD-30  
ICED TEA DISPENSER**



For use with our  
**Extractor® Series,**  
TBS-21A, Tea Brewing  
System...

The 3.0 gallon dispenser has a removable liner for ease of cleaning, is dishwasher safe, has a faucet guard, plus front and rear sight panels to monitor brewed tea levels.

**Consultant & Contractor Approvals:**



**REMOVABLE LINER FOR CLEANING**

**DISHWASHER SAFE LINER**

**FAUCET GUARD**

**FRONT AND REAR SIGHT PANELS**

**FETCO®**

**600 Rose Road**

**Lake Zurich, IL 60047-0429**

**USA**

**Phone: (847) 719-3000**

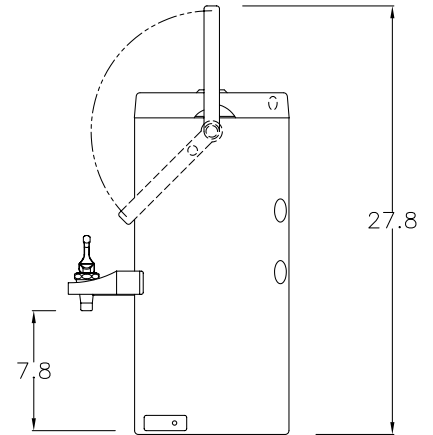
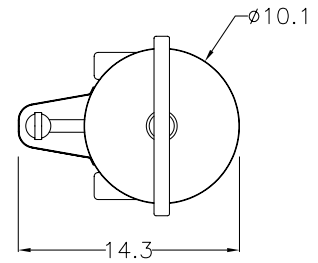
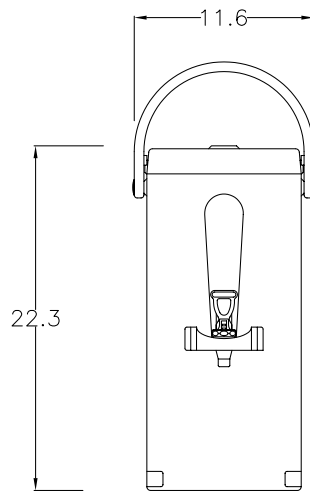
**Toll Free: (800) FETCO-99**

**FAX: (847) 719-3001**

**sales@fetco.com**

**http://www.fetco.com**

# MODEL ITD-30 ICED TEA DISPENSER



## ITD-30 Iced Tea Dispenser

ITEM / CAPACITY  
D031 / 3.0 Gallon

SHIPMENT DIMENSIONS / WEIGHT  
W13 D15 H24 / 13lbs

### ACCESSORIES

A015 Round Drip Tray

### WRAPS

067 Icing Fresh Leaves™ For ITD-30

### OPTIONS

Z044 Wrap Application

**FETCO®**  
**600 Rose Road**  
**Lake Zurich, IL 60047-0429 USA**  
**Phone: (847) 719-3000 Toll Free: (800) FETCO-99**  
**FAX: (847) 719-3001**  
**sales@fetco.com <http://www.fetco.com>**

FETCO, LUXUS, Extractor, Pulse-Brew, Driven To Pioneer Innovation and product dress are all trademarks or registered trademarks of Food Equipment Technologies Company

Printed in USA 2006