

FETCO®

ITEM NUMBER: _____

MODEL CBS-2052e20
SERIES 2000



Dispensers Sold Separately



Patents: 6,148,717; 6,565,906; 6,576,282 6705,208B1,
6,889,598 Other Patents Pending. International
Patents Apply.

The LUXUS® Thermal Dispenser

Brewing directly into our LUXUS® Thermal Dispenser ensures a continuous flow of hot, aromatic, great tasting coffee. LUXUS® Thermal Dispensers are totally portable and require no electric power to maintain serving temperature. LUXUS® Thermal Dispensers remove the hazards of utilizing glass-lined products without loss of performance, while adding the durability of stainless steel.

FETCO®

600 Rose Road

Lake Zurich, Illinois 60047 USA

Printed in USA 2006

The Science of Extraction Meets The Art of Taste™

Never before has there been a coffee brewer that has been more dedicated to the art and science of extracting the perfect cup of coffee. Nor has there ever been a coffee brewer so advanced yet so easy to operate. Without a doubt, The Extractor® Coffee Brewers are the smartest brewers in its class yet if won't intimidate the operator.

Science of Extraction

The best cups of coffee have an optimum balance of strength and extraction. Designed to achieve the optimal saturation, this brewer incorporates an innovative large spray disc, together with our renowned brew basket.

Effortless Calibration

Have you ever wished you had more time and energy to fine-tune your coffee brewer, but didn't want to go under the lid? Now you don't have to with The Extractor® Coffee Brewers. Effortless external calibration and set-up are made easy through innovative front panel technology. Only what you need to know appears on the panel and just the selected options you choose remain activated.

Outstanding Safety Operation

The brew basket locks into place during the entire brew cycle (including spray-over and dwell times) for added operator safety (on select models). The Low-Temp/No-Brew feature if activated, stops brewing with tepid water. Batch sizes and hot water service features can be turned on or off during setup to streamline operator choices.

Consultant & Contractor Approvals:

Phone: (847) 719-3000

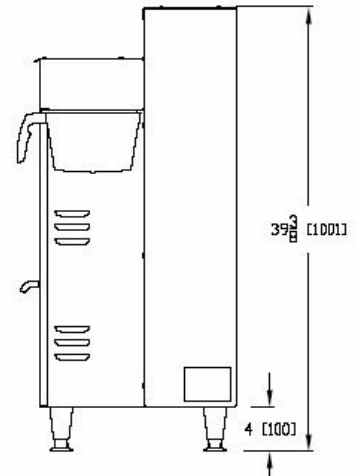
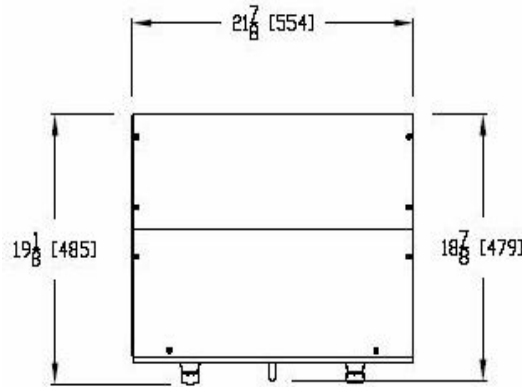
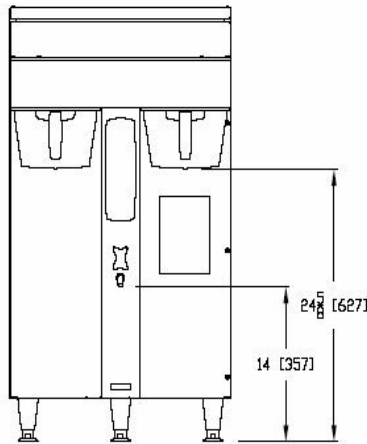
Toll Free: (800) FETCO-99

FAX: (847) 719-3001

sales@fetco.com

http://www.fetco.com

MODEL CBS-2052e20 SERIES 2000



Dimensions (Brewer):

Height - 40" (1016mm) Width - 22" (559mm) Depth - 20" (508mm)

Dimensions (Shipping): Ships By Pallet

Height - 35" (889mm) Width - 23" (585mm) Depth - 23" (585mm)

Weight - 100 lbs (45.4 kg)

ELECTRICAL

ELECTRICAL CONFIG. CODE	HEATER CONFIG.	VOLTAGE	PHASE	WIRES	KW	MAX AMP DRAW	BATCHES PER HOUR ⁽³⁾ COLD	HOT WATER
E53016 ⁽¹⁾	2x3.0 kW ⁽²⁾	120/208	1	3+G	4.6	22.4	7.7	18.6
		120/220			5.1	23.7	8.9	21.6
		120/240			6.1	25.8	10.3	22.0
	3x3.0 kW	120/208	3	4+G	6.9	19.5	11.5	22.0
		120/220			7.7	20.6	13.4	22.0
		120/240			9.1	22.5	15.4	22.0
E53026 ⁽¹⁾	2x5.0 kW	120/208	1	3+G	7.6	36.9	12.8	22.0
		120/220			8.5	39.0	14.9	22.0
		120/240			10.1	42.5	17.1	22.0
	3x5.0 kW ⁽²⁾	120/208	3	4+G	11.4	32.0	19.2	22.0
		120/220			12.7	33.9	22.0	22.0
		120/240			15.1	36.9	22.0	22.0

⁽¹⁾ Universal Wiring / Multi-Phase Wiring.

⁽²⁾ Factory Setting.

⁽³⁾ Based on standard factory settings: 4.0 minute brew time; 0% prewet; 200°F water.

WATER

WATER INLET [INCH]	WATER PRESSURE	FLOW RATE
3/8 MALE FLARE	20-75 psig	1.5 gpm

OPTIONS

Z005	Color Coded Dispenser Faucet Handles For D050 & D053 Orange, Red, Blue, Green (Stand. Black) For D011 & D015 Orange (Standard Black)
Z047	Red Handle On Brew Basket
Z048	Green Handle On Brew Basket
Z049	Orange Handle On Brew Basket
Z055	Export Voltages Available

DISPENSERS

D037	1.9 Liter Stainless Steel Lined Server
D038	Case (6) 1.9 Liter Stainless Steel Lined Servers
D055	1.9 Liter Bowl Stainless Steel Lined Server

FILTERS

F001	15" x 5 1/2" Paper Filters (500 Per Case)
------	---

ACCESSORIES

A011	Single Serving Station For LS-20 (SS-1)
A012	Twin Serving Station For LS-20 (SS-2)
A013	Triple Serving Station For LS-20 (SS-3)
A015	Round Drip Tray
A039	In Line Water Filter With Cartridge
A069	Identifier Plates, Acrylic
A075	Replacement Water Filter Cartridge
A104	Iced Tea Brew Basket (16" x 6")
A097	Single Serving Station For L3S-20 (S3S-15/20-1)
A098	Twin Serving Station For L3S-20 (S3S-15/20-2)
A099	Triple Serving Station For L3S-20 (S3S-15/20-3)
A129	Quad Serving Station For L3S-20 (S3S-15/20-4)

FETCO®

600 Rose Road

Lake Zurich, IL 60047-0429 USA

Phone: (847) 719-3000 Toll Free: (800) FETCO-99

FAX: (847) 719-3001

sales@fetco.com <http://www.fetco.com>

FETCO, LUXUS, Extractor, Pulse-Brew, Driven To Pioneer Innovation and product dress are all trademarks or registered trademarks of Food Equipment Technologies Company

Printed in USA 2006