

FETCO®

ITEM NUMBER: _____

MODEL CBS-31AAP
SERIES 3000



High Performance and Compact Design In An Airpot Coffee Brewer

Your answer to brewing the best tasting coffee consistently day after day...

The 3000 series provides you with the full-featured ultimate coffee brewing system you've come to expect from FETCO®. These high-performance coffee brewers deliver the full rich flavor of your coffee directly into 1.9 through 3.0-liter airpot dispensers. These airpot coffee brewers are available in a single-head automatic model, a twin-head automatic model, or a single-head pour-over model, which requires no plumbing. Ask for FETCO® quality, dependability—a better coffee brewing system.

**Dispensers Sold Separately
Shown with A007 Sold Separately**

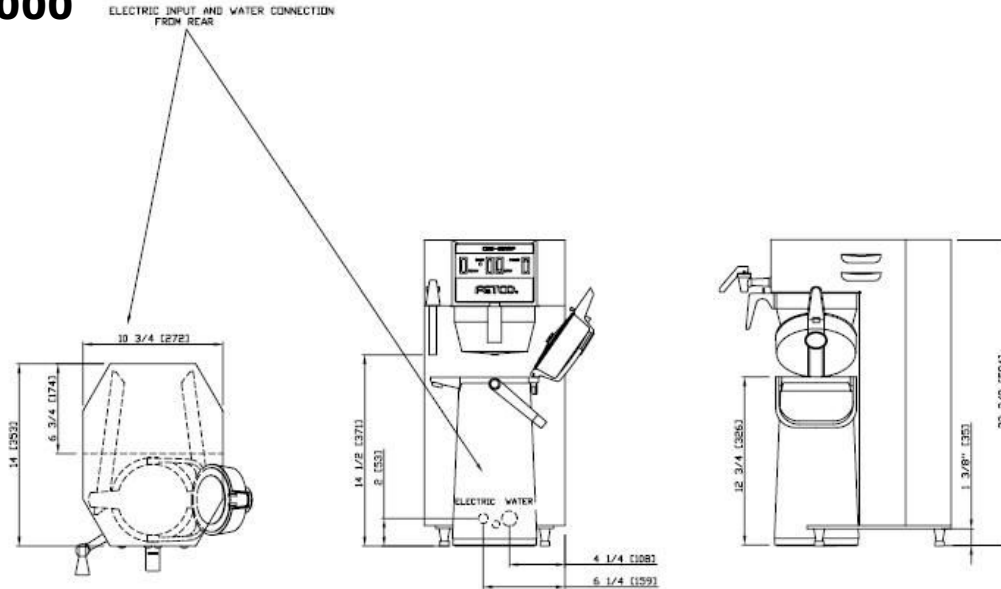


The Ultimate in Airpot Technology
Versatility, reliability, portability and functionality best describe these 3.0 Liter all stainless steel lined beverage dispensers. Once filled, they can be taken anywhere to provide self serve beverage service. Indoors, outdoors, on different floors, these dispensers can be placed throughout the restaurant, hotel or office for hours of reliable performance.

Consultant & Contractor Approvals:

FETCO®
600 Rose Road
Lake Zurich, Illinois 60047 USA
Phone: (847) 719-3000
Toll Free: (800) FETCO-99
FAX: (847) 719-3001
sales@fetco.com
http://www.fetco.com

MODEL CBS-31AAP SERIES 3000



Dimensions (Brewer):

Height - 23" (585mm) Width - 11" (280mm) Depth - 14" (356mm)

Dimensions (Shipping): Ships By Pallet

Height - 26" (660mm) Width - 14 (356mm) Depth - 22" (559mm)

Weight - 29lbs (13kg)

ELECTRICAL

ELECTRICAL CONFIG. CODE	HEATER CONFIG.	VOLTAGE	PHASE	WIRES	KW	MAX AMP DRAW	BATCHES / HOUR	
							2.5L COLD	3.0L COLD
C31015	1x1.3 KW	120	1	2+G	1.4	11.3	5.5	4.1
C31025	1x1.8 KW	120	1	2+G	1.9	15.4	7.7	5.6
C31035	1x2.3 KW	120/208	1	3+G	1.8	8.7	7.4	5.4
		120/220			2.0	9.2	8.5	6.3
		120/240			2.4	10.0	9.8	7.2

WATER

WATER INLET (INCH)	WATER PRESSURE	FLOW RATE
1/4 COMPRESS	20-75 psig	0.25 gpm

OPTIONS

Z009	Iced Tea Brew Package (Controls, Brew Basket & Airpot) Per Side
Z026	CBS-31AAP Two Portion Option
Z031	CBS-32AAP Two Portion Option
Z037	Custom Color Server Tops For D041 & D042 Orange (Standard Black)
Z055	Export Voltages Available
Z058	Water Sensitivity Set For Reverse Osmosis (100K Ohm)
Z060	Maritime Package For CBS-31AAP Only
Z062	Maritime Package For CBS-32AAP Only

DISPENSERS

D006	2.2 Liter Glass Lined Airpot
D041	3.0 Liter Stainless Steel Lined Lever Airpot
D042	Case (6) of 3.0 Liter Stainless Steel Lined Lever Airpots

ACCESSORIES

A007	Gourmet Stainless Steel Brew Basket (13" x 5")
A015	Round Drip Tray
A034	2 Station Airpot Rack
A035	3 Station Airpot Rack
A036	5 Station Airpot Rack
A039	In Line Water Filter With Cartridge
A075	Replacement Water Filter Cartridge
A083	Iced Tea Brew Basket (11 1/4" x 3 3/4")
A084	Iced Tea Brew Basket (13" x 5")
A085	Gourmet Stainless Steel Brew Basket (11 1/4" x 3 3/4")
A112	Airpot Hot Tea Infuser

FILTERS

F002	13" x 5" Paper Filters (500/Case)
F003	93/4" x 41/2" Paper Filters (1000/Case) - Standard
F007	11 1/4" x 3 3/4" Paper Filters (500/Case)

FETCO®

600 Rose Road

Lake Zurich, IL 60047-0429 USA

Phone: (847) 719-3000 Toll Free: (800) FETCO-99

FAX: (847) 719-3001sales@fetco.com <http://www.fetco.com>