

HOT WATER DISPENSER

HWD 2100 Series

HWD 2110

Single Temperature



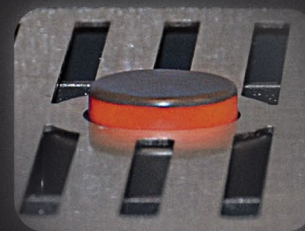
Whether you need a front of house self serve solution to prepare coffee, tea, oatmeal, and instant beverages, or back of house solutions that rely on hot water, the **HWD-2110** is the answer. The newly-designed hot water dispenser meets FETCO's exacting standards of innovation, reliability, durability and quality. It delivers form, function and flexibility like no other on the market today.



High-resolution display provides easy navigation and instant feedback. **Temperature settings** can be adjusted at the touch of a button using ergonomic capacitive touch function selector technology.



Soft silicone tap is designed to protect glass and ceramic serveware against damage.



Convenient float indicator is built into drip tray to help simplify maintenance and cleaning.



SD card slot allows operator to easily update software and maintain optimal performance.

Water Specification

Water Inlet ¼ inch male flare fitting	Minimum Flow Rate 1½ gpm [5.7 lpm]	Water Pressure 40-75 psig [276-517 kPa]
--	---------------------------------------	--

Electrical Configuration

Configuration Code	Heater Configuration	Voltage	Phase	Wires	KW	Electrical Connection	Max Amp Draw	Gallon[Liter]/Hour
DOMESTIC & CANADA H211011	1 x 5 kW	200-240	1	2+G	3.6-5.1	NEMA 6-30P	17.4-21.0	9.5-13.5 [36.0-51.0] ⁽²⁾
EXPORT H211021	1 x 5 kW	200-240	1	2+G	3.6-5.1	Cord only ⁽¹⁾	17.4-21.0	9.5-13.5 [36.0-51.0] ⁽²⁾

Important

Temperature ranges selectable from 158°-203°F / 70°-95°C based on 207°F / 97°C hot water tank temperature.

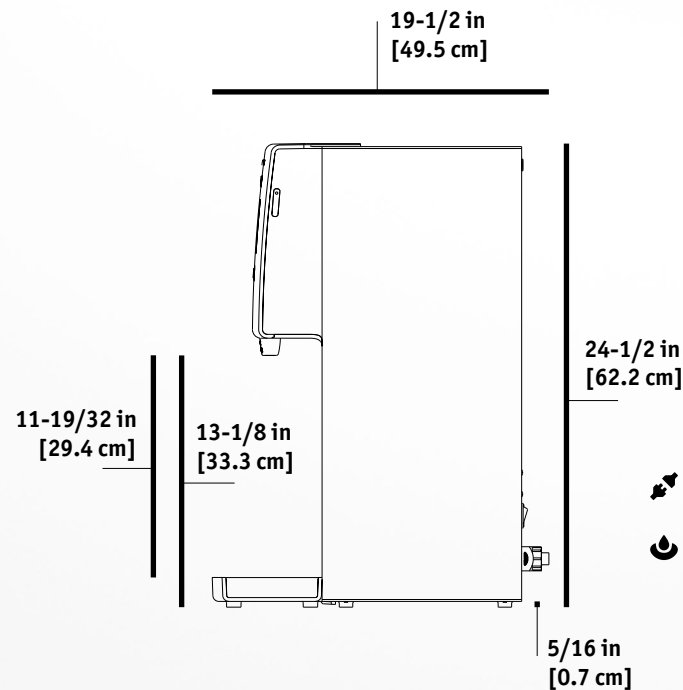
(1) For EXPORT, cord without plug will be supplied.

(2) Five gallon per hour flow rate based on 65°-70°F / 18°-21°C water main supply temperature at lowest possible power supply current. Temperature displayed in F or C.

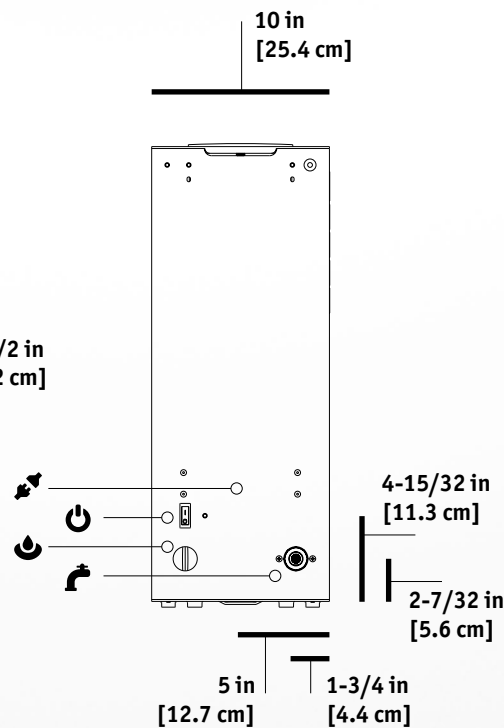
Measurements

Height 24½ in [62 cm]	Width 10 in [25.4 cm]	Depth 19½ in [49.5 cm]	Empty Weight 30 lbs [13.6 kg]	Filled Weight 68.3 lbs [31.0 kg]	Shipping Weight 44 lbs [20.0 kg]
--------------------------	--------------------------	---------------------------	----------------------------------	-------------------------------------	-------------------------------------

SIDE VIEW



BACK VIEW



SYMBOLS

- Electrical Connector
- On / Off Switch
- Tank Drain
- Water Inlet

NEMA PLUGS CONFIGURATIONS



FETCO® is an active member of



Information

fetco.com

847.719.3000
180.338.2699 USA
 847.719.3001

Food Equipment Technologies Co.
600 Rose Road
Lake Zurich, IL 60047
USA